

## Technische Daten/ Technical Data

### KLUDI DECUS

single lever basin mixer 85  
DN 15

Ref.: 54266N275

Finishes:

N2 Brushed Gunmetal PVD

Product description

Manufacturer KLUDI GmbH & Co. KG

Typ: KLUDI DECUS

single lever basin mixer 85

Ref.: 54266N275

basin mixer

single lever mixer

1-hole mounted

solid lever, metal

aerator, S-Pointer M18,5 PCA

ceramic cartridge with hot water safety device

flow rate at 3 bar 4,5 l/min.

flexible hoses G3/8 DVGW approved

rapid installation set

push open waste G1 1/4

for washbasin with overflow

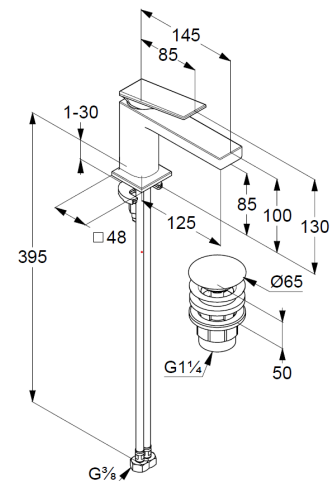
EU taxonomy: max. 6 l/min. -

Substantial Contribution (SC) possible

### Produktabbildung/ Product picture



### Maßzeichnung/ Dimensional drawing



### Durchfluss/ Flow rate

