

# WAGO WINSTA® distribution box, 2-circuit, P47/P48 DALI-2

**353-70804**



This distribution box can be used in combination with distribution boxes 353-70801, 353-70802 and 353-70803, or with a DALI-2 BMS system, to divide the power distribution to the DALI luminaires over two circuit breakers and achieve a higher security of supply. It is to be combined with Niko P48 DALI-2 master detectors with 2 WAGO WINSTA® cables and connectors. External connectors for both power supply circuits are included. Each connector is unique, which helps to avoid installation errors and save time.



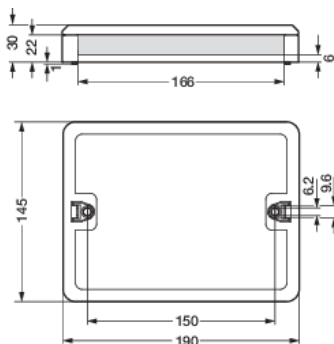
Colour: black

## Technical data

WAGO WINSTA® distribution box, 2-circuit, P47/P48 DALI-2

- Protection degree: IP20
- Dimensions (HxWxD): 30 mm x 190 mm x 145 mm
- Marking: CE

## Dimensions



## Wiring diagram

