

Presence detector, 230 V, secondary, 24 m, IP54, for flush-mounting box, white

350-20071

4 year warranty

This presence or absence detector (360°, secondary) is suitable for flush mounting in ceilings and is used to switch indoor lighting on and off but only in combination with a master. The detector has a circular detection area with a diameter of up to 24 m that can be adjusted using the cover mask. The device follows the settings of the master. The sensitivity of the secondary detector, though, can be set separately. This motion detector has an IP54 protection degree and complies with the European directives for EMC and safety, EN 60669-2-1. A maximum of ten secondary detectors can be connected per master.

Finishing colour: white

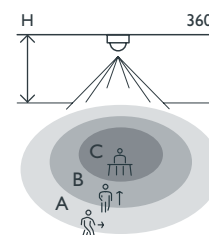
Compatible master detectors: 350-20070, 350-20072, 350-20078, 350-20080, 350-20082

- Simple mounting
- Low power consumption
- Splashproof (IP54)

For use in offices, school buildings, cafeterias, etc.



Detection range



H	A Across	B Towards	C Presence
2 m	∅ 16 m	∅ 10 m	∅ 4 m
2.5 m	∅ 20 m	∅ 12 m	∅ 5 m
3 m	∅ 24 m	∅ 14.4 m	∅ 6 m
3.5 m	∅ 28 m	∅ 16 m	∅ 7 m



niko

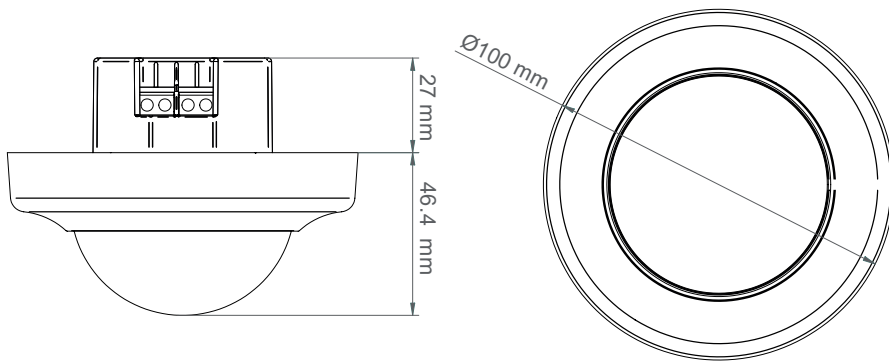
Technical data

Article number	350-20071
Compatible master detectors	350-20070, 350-20072, 350-20078, 350-20080, 350-20082
Input voltage	230 Vac \pm 10 %, 50 Hz
Detector output	230 V (ON/OFF)
Maximum MCB rating	10 A (limited by national installation rules)
Detection angle	360 °
Detection range (PIR)	\varnothing 24 m from a height of 3 m
Ambient temperature	-5 – +50 °C
Mounting method	flush-mounting box
Mounting height	2 – 3.4 m
Dimensions visible (HxWxD)	100 x 100 x 46.4 mm
Dimensions (HxWxD)	100 x 100 x 73.4 mm
Protection degree	IP54
Marking	CE

Accessories

390-20057 Flush mounting box with spring clips

Dimensions



Wiring diagram

