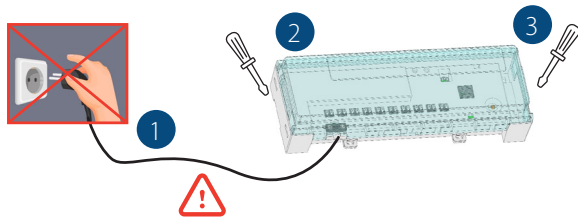


HENCOLOGIC WATER FLOOR HEATING & COOLING

Module. 230V. Wireless - **CU-ZONERF-HC**



Quick Installation Guide

The descriptions and photographs contained in this document are supplied by way of example and illustration only. Henco Industries reserves the right to carry out any technical and design improvements to its products without prior notice. Henco hereby objects to any term, different from or additional to Henco terms, contained in any buyer communication in any form, unless agreed to in a writing signed by an officer of Henco.

2012/19/EU: Products marked with this symbol cannot be disposed of as unsorted municipal waste in the European Union. For proper recycling, return this product to your local supplier upon the purchase of equivalent new equipment, or dispose of it at designated collection points. For more information see: <https://www.henco.be/en/henco-logic>



DIP switch number	Function	Value (default : OFF)	Configuration
1	Humidity function	OFF*	Dehumidifier function is OFF
		ON	Dehumidifier function is ON
2	Time before switching Heat / Cool (HC Mode)	OFF	5mn
		ON*	Local 2s
3	Type of control on the heating and cooling outputs	OFF	Heating or cooling outputs follow the working mode of the installation (Ex: In heating mode, the heating output is always ON)
		ON*	Heating or cooling outputs follow the heating or cooling demand of the installation (Ex: In heating mode, if any zones are in heating demand, the heating is switched ON)
4	Humidity detection	OFF*	Free contact input
		ON	Water temperature input

*Default dipswitch setting

EN

► Safety warnings and operating instructions

This product should be installed preferably by a qualified professional. All instructions in this Installation & Operation manual should be observed when working with the controller. Failures due to improper installation, improper use or poor maintenance are voiding manufacturer liability.

FR

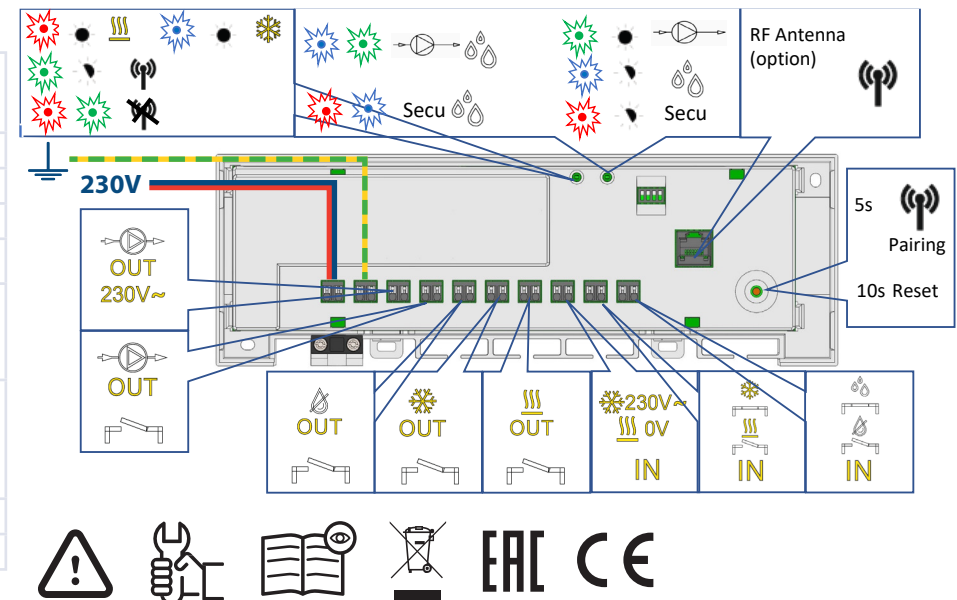
► Avertissements de sécurité et consignes d'utilisation

Ce produit doit être installé de préférence par un technicien agréé. Toutes les instructions reportées dans ce manuel d'installation et d'utilisation doivent être respectées lorsque les travaux portent sur le contrôleur. Toute installation, utilisation ou entretien incorrect annule la responsabilité du fabricant

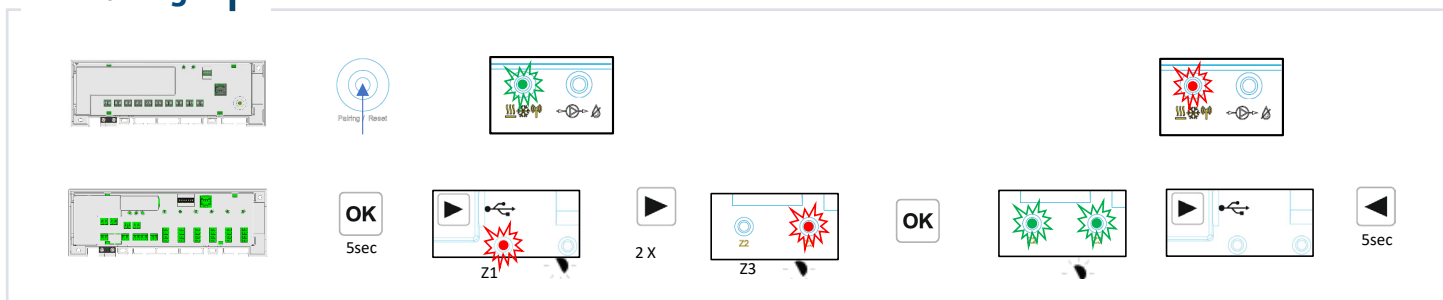
NL

► Veiligheidswaarschuwingen en gebruiksaanwijzingen

Dit product dient bij voorkeur door een erkend vakman te worden geïnstalleerd. Alle instructies in deze installatie- en bedieningshandleiding dienen te worden opgevolgd bij het werken op de regelaar. Bij storingen als gevolg van verkeerde installatie, onjuist gebruik of slecht onderhoud komt de aansprakelijkheid van de fabrikant te vervallen.



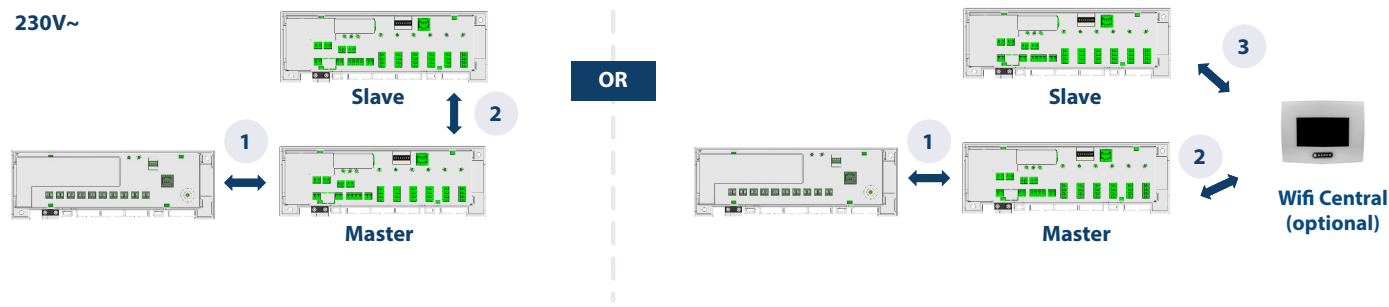
RF Pairing



Operating	Temperature 0°C to 50°C
Supply Voltage	230VAC +/- 10% 50Hz
Outputs:	2 x Relay => 5A / 250VAC (Free contact)
Heating and cooling	1 x Relay => 5A / 250VAC (Free contact)
Humidity drier	1 x Relay => 5A / 230 VAC (L, N)
Pump	
Input:	HC input could be connected to
HC	<ul style="list-style-type: none"> • a free contact for a manual switch or Heat Pump output • a NTC 10K to measure the water temperature
Radio Frequency	868,3 MHz <10mW. Range of approximately 100 meters in open space. Range of approximately 50 meters in residential environment.
CE Directives	R&TTE 1999/5/EC LVD 2006/95/EC EMC 2004/108/EC RoHS 2011/65/EU
Your product has been designed in conformity with the European Directives.	
Protection	IP 30
Combination	Only with WFC-6 H&C



230V~



WE CARE TO CONNECT