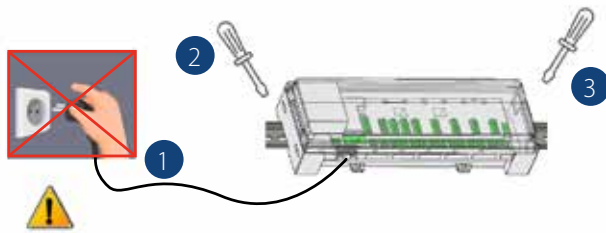




HENCOLOGIC EXTENSION MODULE 6 ZONES + CONTROL UNIT (H)

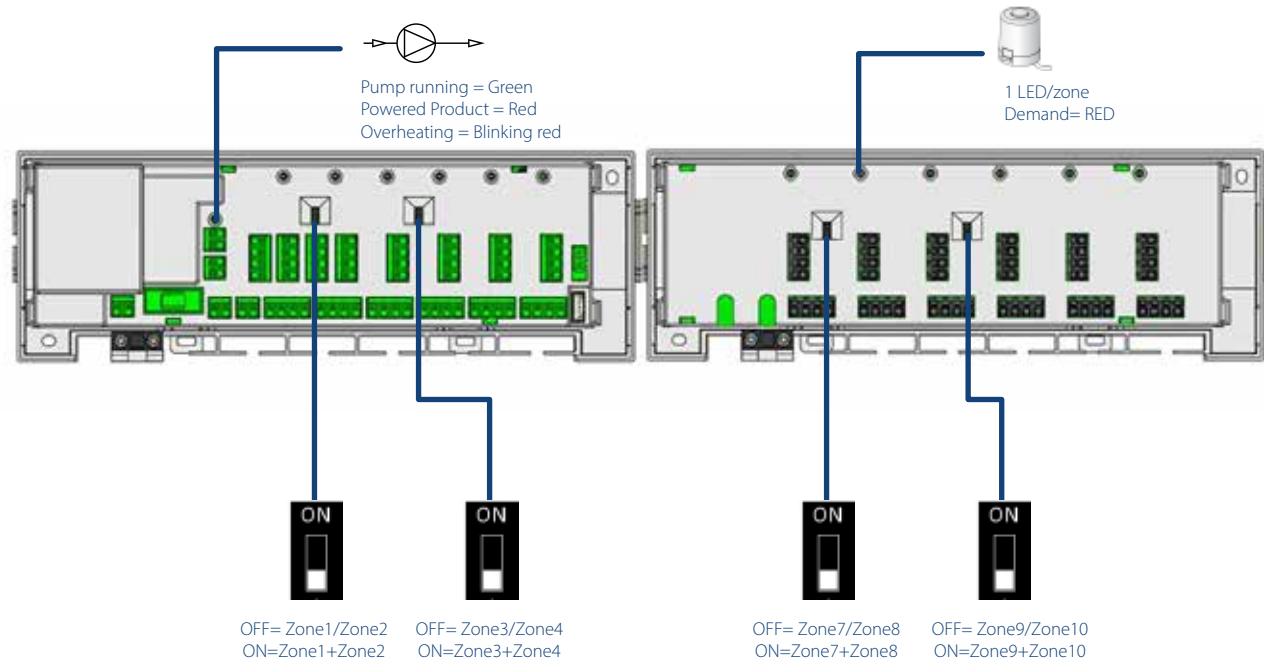
6+6 zones, Heating only, Wired - **CU-6ZONEB-H + CU-6ZONE-CON**



Quick Installation Guide

The descriptions and photographs contained in this document are supplied by way of example and illustration only. Henco Industries reserves the right to carry out any technical and design improvements to its products without prior notice. Henco hereby objects to any term, different from or additional to Henco terms, contained in any buyer communication in any form, unless agreed to in a writing signed by an officer of Henco.

2012/19/EU: Products marked with this symbol cannot be disposed of as unsorted municipal waste in the European Union. For proper recycling, return this product to your local supplier upon the purchase of equivalent new equipment, or dispose of it at designated collection points. For more information see:
<https://www.henco.be/en/henco-logic>



EN

Safety warnings and operating instructions

This product should be installed preferably by a qualified professional. All instructions in this Installation & Operation manual should be observed when working with the controller. Failures due to improper installation, improper use or poor maintenance are voiding manufacturer liability.

FR

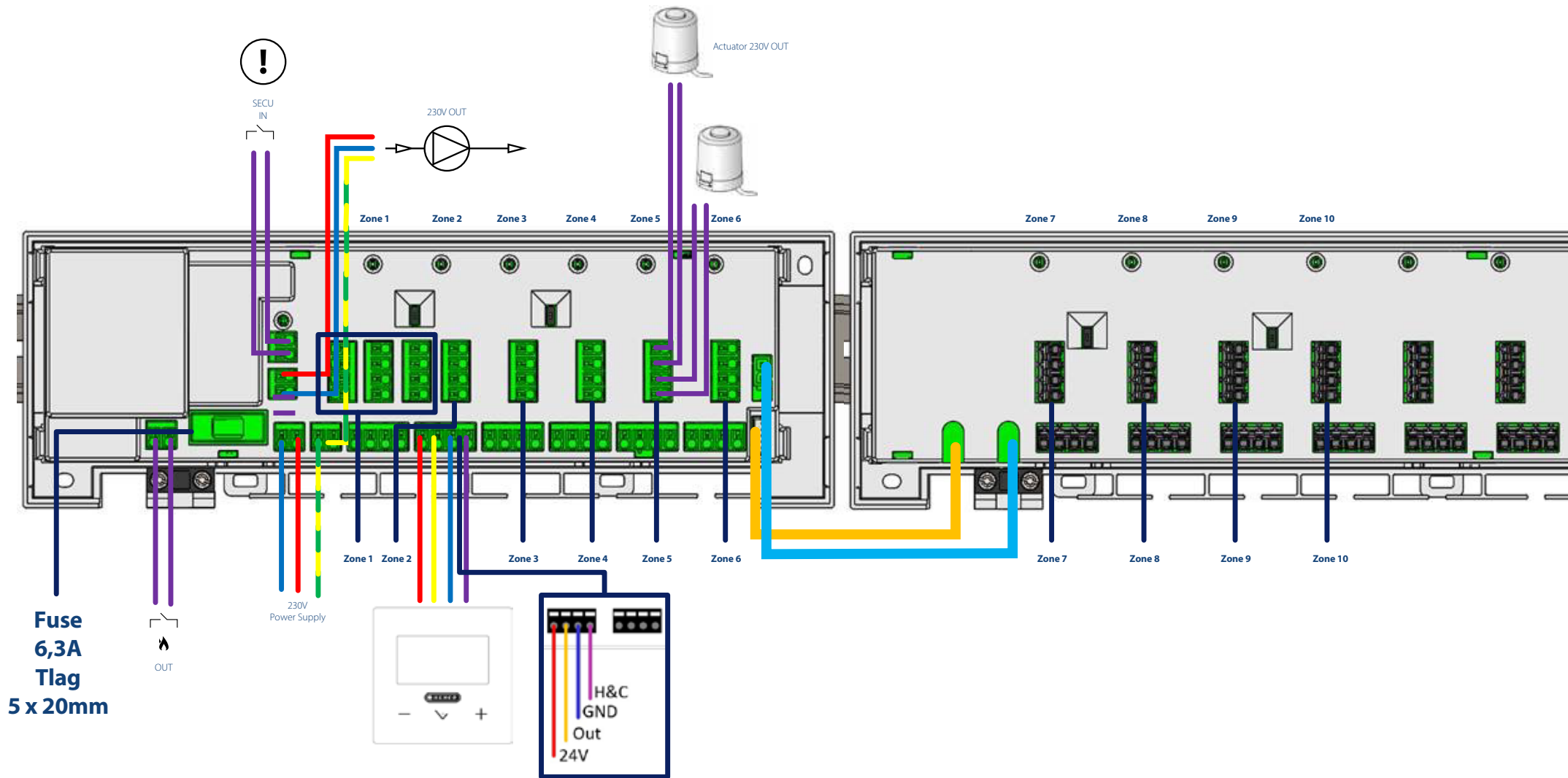
Avertissements de sécurité et consignes d'utilisation

Ce produit doit être installé de préférence par un technicien agréé. Toutes les instructions reportées dans ce manuel d'installation et d'utilisation doivent être respectées lorsque les travaux portent sur le contrôleur. Toute installation, utilisation ou entretien incorrect annule la responsabilité du fabricant.

NL

Veiligheidswaarschuwingen en gebruiksaanwijzingen

Dit product dient bij voorkeur door een erkend vakman te worden geïnstalleerd. Alle instructies in deze installatie- en bedieningshandleiding dienen te worden opgevolgd bij het werken op de regelaar. Bij storingen als gevolg van verkeerde installatie, onjuist gebruik of slecht onderhoud komt de aansprakelijkheid van de fabrikant te vervallen.

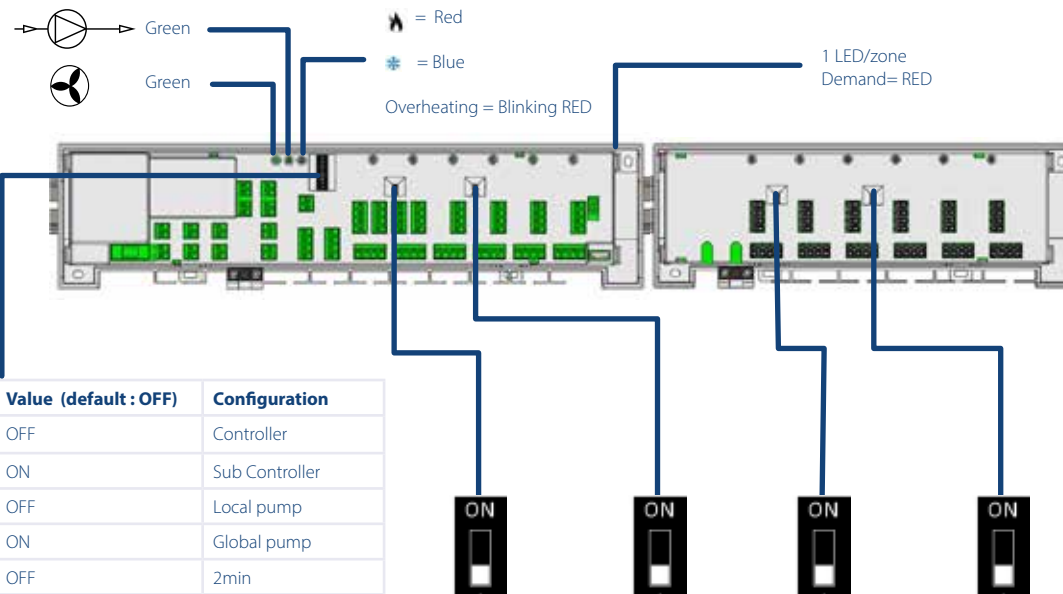
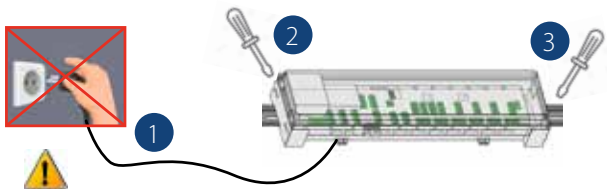


WE CARE TO CONNECT



HENCOLOGIC EXTENSION MODULE 6 ZONES + CONTROL UNIT (H/C)

6+6 zones, Heating & Cooling, Wired - **CU-6ZONEB-HC + CU-6ZONE-CON**



OFF= Zone1/Zone2 OFF= Zone3/Zone4 OFF= Zone7/Zone8 OFF= Zone9/Zone10
ON=Zone1+Zone2 ON=Zone3+Zone4 ON=Zone7+Zone8 ON=Zone9+Zone10



DIP switch number	Function	Value (default : OFF)	Configuration
1	Controller function	OFF	Controller
		ON	Sub Controller
2	Pump (available only on main controller, the sub is always local)	OFF	Local pump
		ON	Global pump
3	Pump start delay	OFF	2min
		ON	5min
4	H&C order	OFF	External H&C input
		ON	Master Thermostat
5	Time before H&C switch	OFF	No delay
		ON	5 minutes delay
6	H&C outputs	OFF	Demand on any zone
		ON	Mode

EN

Safety warnings and operating instructions

This product should be installed preferably by a qualified professional. All instructions in this Installation & Operation manual should be observed when working with the controller. Failures due to improper installation, improper use or poor maintenance are voiding manufacturer liability.

FR

Avertissements de sécurité et consignes d'utilisation

Ce produit doit être installé de préférence par un technicien agréé. Toutes les instructions reportées dans ce manuel d'installation et d'utilisation doivent être respectées lorsque les travaux portent sur le contrôleur. Toute installation, utilisation ou entretien incorrect annule la responsabilité du fabricant

NL

Veiligheidsaanschuivingen en gebruiksaanwijzingen

Dit product dient bij voorkeur door een erkend vakman te worden geïnstalleerd. Alle instructies in deze installatie- en bedieningshandleiding dienen te worden opgevolgd bij het werken op de regelaar. Bij storingen als gevolg van verkeerde installatie, onjuist gebruik of slecht onderhoud komt de aansprakelijkheid van de fabrikant te vervallen.

Quick Installation Guide

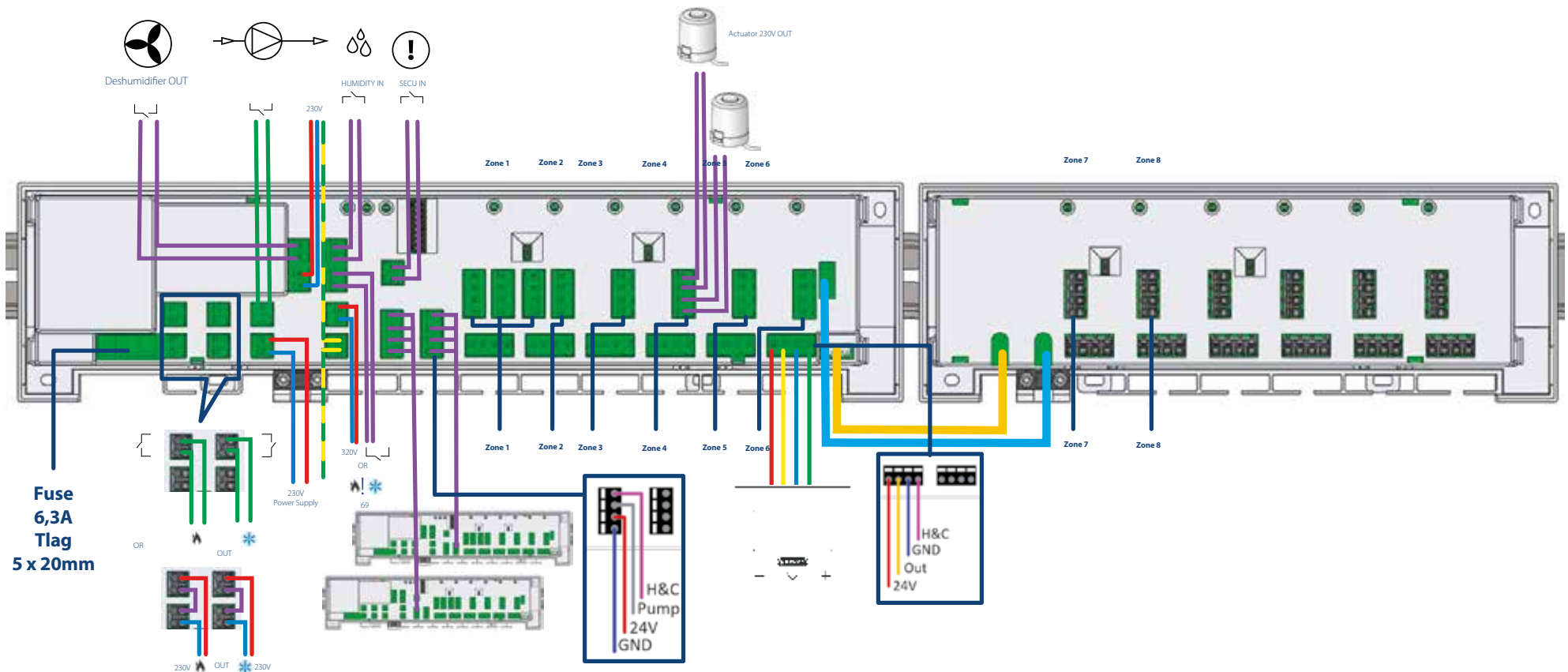
The descriptions and photographs contained in this document are supplied by way of example and illustration only. Henco Industries reserves the right to carry out any technical and design improvements to its products without prior notice. Henco hereby objects to any term, different from or additional to Henco terms, contained in any buyer communication in any form, unless agreed to in a writing signed by an officer of Henco.

2012/19/EU: Products marked with this symbol cannot be disposed of as unsorted municipal waste in the European Union. For proper recycling, return this product to your local supplier upon the purchase of equivalent new equipment, or dispose of it at designated collection points. For more information see:

<https://www.henco.be/en/henco-logic>



Wiring diagram



WE CARE TO CONNECT