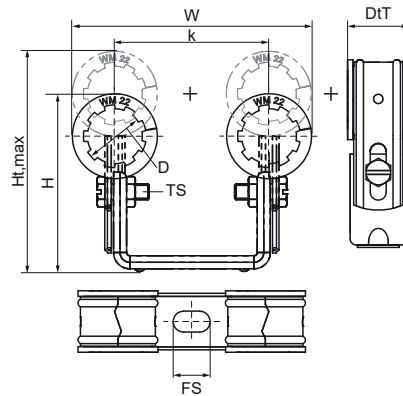


Walraven Duplo Double Clamp with Lining (White)

(A1504)

for heating pipes



Features & benefits

- two clamps on connection bracket
- for fixing of two pipes
- space saving
- clamp shells are reinforced
- two parts of the clamp interlock
- bracket reinforced for extra strength
- tube insulation can easily be fitted
- adjustable distance between pipe and wall
- material: steel
- pre-galvanized
- sound insulating lining according DIN 4109

Product Number	Outside Pipe Diameter	Total Height	Total Width	Total Depth	Maximum Height	Fixing Slot	Heart To Heart Distance	Thread Size	Max. Wall Distance Center Clamp	Min. Wall Distance Center Clamp	Maximum Allowed Load Faz	Maximum Allowed Load Fax
Reference Letter	D	H	W	DtT	Ht,max	FS	k	TS			Fa,z	Fa,x
Unit description	mm	mm	mm	mm	mm	mm	mm		mm	mm	N	N
3211015	15	64	87	23	78.75	15x8,5	60	M6	65.25	50	200	100
3211022	22	69	93	23	84.25	15x8,5	60	M6	68	50	200	100