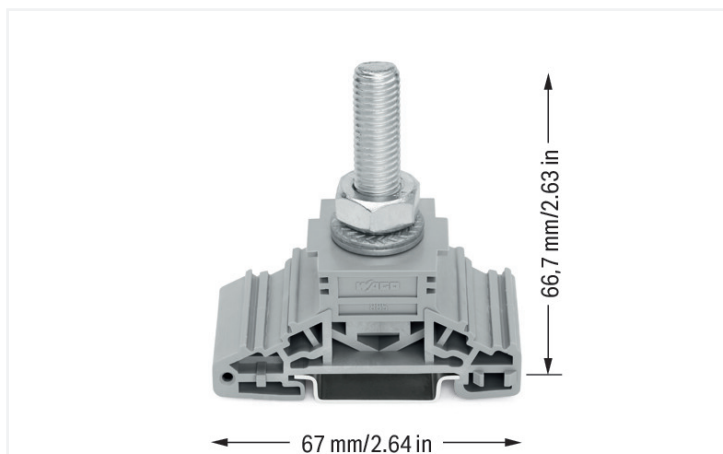


## Data Sheet | Item Number: 885-110

Stud terminal block; lateral marker slots; for DIN-rail 35 x 15 and 35 x 7.5; 1 stud, M10; 120,00 mm<sup>2</sup>; gray

<https://www.wago.com/885-110>



Color: ■ gray

High-current terminal block, 885 Series, open-end/ring/socket wrench und 17 mm

Our through terminal block (item number 885-110) is designed for seamless electrical installations. This product features conductor terminals and utilizes a bolt-type connection. When using a bolt-type connection, place crimped cable lugs on the studs between the safety washer and the current bar. Then tighten the hex nut to the correct torque to connect the conductors. The dimensions are (33.8 x 67 x 73.1) mm (width x height x depth).

### Electrical data

#### Ratings per IEC/EN

Nominal voltage (III/3)	1000 V
Rated impulse withstand voltage (III / 3)	8 kV
Rated current	269 A
Legend (ratings)	(III / 3) △ Overvoltage category III / Pollution degree 3

#### Approvals per

	UL 1059		
Use group	B	C	D
Rated voltage	-	-	-

#### Approvals per

	CSA 22.2 No 158		
Use group	B	C	D
Rated voltage	-	-	-

#### Power Loss

Power loss, per pole (potential)	8.6833 W
Rated current $I_N$ for power loss specification	269 A
Resistance value for specified, current-dependent power loss	0.00012 Ω

### Connection data

Clamping units	1
Total number of potentials	1
Number of levels	1

#### Connection 1

Connection technology	Bolt-type connection
Actuation type	Open-end, ring, socket wrench; 17 mm
Connectable conductor materials	Copper
Clamping range	6 ... 120 mm <sup>2</sup> / 10 AWG ... 250 kcmil
Type of cable lugs per DIN 46234	Cable lugs for solder-free connections Ring type, without insulating sleeve, for copper conductors

### Connection 1

Type of cable lugs per DIN 46235	Cable lugs for compression connections Cover plate type for copper conductors
Thread size	M10

### Physical data

Width	33.8 mm / 1.331 inches
Height	67 mm / 2.638 inches
Depth from upper-edge of DIN-rail	66.7 mm / 2.626 inches
Depth	73.1 mm / 2.878 inches

### Mechanical data

Tightening torque	10 ... 20 Nm
Mounting type	DIN-35 rail
Marking level	Side marking

### Material data

Note (material data)	<a href="#">Information on material specifications can be found here</a>
Color	gray
Material group	I
Insulation material (main housing)	Polyamide (PA66)
Flammability class per UL94	V0
Fire load	0.831 MJ
Weight	88.2 g

### Environmental requirements

Processing temperature	-35 ... +85 °C
Continuous operating temperature	-60 ... +105 °C

### Commercial data

Product Group	1 (Rail Mounted Terminal Blocks)
PU (SPU)	20 pcs
Packaging type	Box
Country of origin	CN
GTIN	4050821049241
Customs tariff number	85369095000

### Product Classification

UNSPSC	39121410
eCl@ss 10.0	27-14-11-20
eCl@ss 9.0	27-14-11-20
ETIM 9.0	EC000897
ETIM 8.0	EC000897
ECCN	NO US CLASSIFICATION

### Environmental Product Compliance

RoHS Compliance Status	Compliant, No Exemption
------------------------	-------------------------

### Approvals / Certificates

General approvals			Declarations of conformity and manufacturer's declarations		
Approval	Standard	Certificate Name	Approval	Standard	Certificate Name
CCA DEKRA Certification B.V.	EN 60947	NTR NL 6882	EU-Declaration of Conformity WAGO GmbH & Co. KG	-	-
CCA DEKRA Certification B.V.	EN 60947	2145295.01	UK-Declaration of Conformity WAGO GmbH & Co. KG	-	-
CSA DEKRA Certification B.V.	C22.2 No. 158	70038960			
UL UL International Germany GmbH	UL 1059	E45172			

### Downloads

Environmental Product Compliance	
Compliance Search	
Environmental Product Compliance 885-110	<a href="#">↓</a>

### CAD/CAE-Data

CAD data	CAE data
2D/3D Models 885-110 <a href="#">↓</a>	EPLAN Data Portal 885-110 <a href="#">↓</a>
	WSCAD Universe 885-110 <a href="#">↓</a>
	ZUKEN Portal 885-110 <a href="#">↓</a>

### 1 Compatible Products

#### 1.1 Optional Accessories

##### 1.1.1 DIN-rail

##### 1.1.1.1 Mounting accessories

<p><b>Item No.: 210-198</b> Copper carrier rail; 35 x 15 mm; 2.3 mm thick; 2 m long; unslotted; according to EN 60715; copper-colored</p>	<p><b>Item No.: 210-508</b> Steel carrier rail; 35 x 15 mm; 1.5 mm thick; 2 m long; slotted; galvanized; similar to EN 60715; silver-colored</p>	<p><b>Item No.: 210-197</b> Steel carrier rail; 35 x 15 mm; 1.5 mm thick; 2 m long; slotted; similar to EN 60715; silver-colored</p>	<p><b>Item No.: 210-506</b> Steel carrier rail; 35 x 15 mm; 1.5 mm thick; 2 m long; unslotted; galvanized; similar to EN 60715; silver-colored</p>
---	--	--	--

### 1.1.1.1 Mounting accessories



**Item No.: 210-114**

Steel carrier rail; 35 x 15 mm; 1.5 mm thick; 2 m long; unslotted; similar to EN 60715; silver-colored



**Item No.: 210-118**

Steel carrier rail; 35 x 15 mm; 2.3 mm thick; 2 m long; unslotted; according to EN 60715; silver-colored



**Item No.: 210-115**

Steel carrier rail; 35 x 7.5 mm; 1 mm thick; 2 m long; slotted; according to EN 60715; "Hole width 18 mm; silver-colored



**Item No.: 210-112**

Steel carrier rail; 35 x 7.5 mm; 1 mm thick; 2 m long; slotted; according to EN 60715; "Hole width 25 mm; silver-colored



**Item No.: 210-504**

Steel carrier rail; 35 x 7.5 mm; 1 mm thick; 2 m long; slotted; galvanized; according to EN 60715; silver-colored



**Item No.: 210-113**

Steel carrier rail; 35 x 7.5 mm; 1 mm thick; 2 m long; unslotted; according to EN 60715; silver-colored



**Item No.: 210-505**

Steel carrier rail; 35 x 7.5 mm; 1 mm thick; 2 m long; unslotted; galvanized; according to EN 60715; silver-colored

### 1.1.2 End plate

#### 1.1.2.1 End plate



**Item No.: 885-530**

Separator plate; 2 mm thick; 157 mm wide; gray



**Item No.: 885-550**

Separator plate with jumper bar recess; 2 mm thick; 157 mm wide; gray

### 1.1.3 Installation

#### 1.1.3.1 Cover



**Item No.: 885-570**

Cover; 1 m long; transparent

#### 1.1.3.2 Empty housings



**Item No.: 885-510**

Empty housing; M10; gray

#### 1.1.3.3 Mounting accessories



**Item No.: 249-117**

Screwless end stop; 10 mm wide; for DIN-rail 35 x 15 and 35 x 7.5; gray



**Item No.: 249-197**

Screwless end stop; 14 mm wide; for DIN-rail 35 x 15 and 35 x 7.5; gray

### 1.1.4 Jumper

#### 1.1.4.1 Jumper



**Item No.: 885-410**

Jumper; 2-way; silver-colored



**Item No.: 885-430**

Jumper; 3-way; unplated; silver-colored



**Item No.: 885-470**

Step-down jumper; M10 to M6; silver-colored

1.1.5 Marking

1.1.5.1 Marker



**Item No.: 793-5501/000-006**  
WMB marking card; as card; for terminal block width 5 - 17.5 mm; stretchable 5 - 5.2 mm; plain; snap-on type; blue



**Item No.: 793-5501/000-014**  
WMB marking card; as card; for terminal block width 5 - 17.5 mm; stretchable 5 - 5.2 mm; plain; snap-on type; brown



**Item No.: 793-5501/000-007**  
WMB marking card; as card; for terminal block width 5 - 17.5 mm; stretchable 5 - 5.2 mm; plain; snap-on type; gray



**Item No.: 793-5501/000-023**  
WMB marking card; as card; for terminal block width 5 - 17.5 mm; stretchable 5 - 5.2 mm; plain; snap-on type; green



**Item No.: 793-5501/000-017**  
WMB marking card; as card; for terminal block width 5 - 17.5 mm; stretchable 5 - 5.2 mm; plain; snap-on type; light green



**Item No.: 793-5501/000-012**  
WMB marking card; as card; for terminal block width 5 - 17.5 mm; stretchable 5 - 5.2 mm; plain; snap-on type; orange



**Item No.: 793-5501/000-005**  
WMB marking card; as card; for terminal block width 5 - 17.5 mm; stretchable 5 - 5.2 mm; plain; snap-on type; red



**Item No.: 793-5501/000-024**  
WMB marking card; as card; for terminal block width 5 - 17.5 mm; stretchable 5 - 5.2 mm; plain; snap-on type; violet



**Item No.: 793-5501**  
WMB marking card; as card; for terminal block width 5 - 17.5 mm; stretchable 5 - 5.2 mm; plain; snap-on type; white



**Item No.: 793-5501/000-002**  
WMB marking card; as card; for terminal block width 5 - 17.5 mm; stretchable 5 - 5.2 mm; plain; snap-on type; yellow



**Item No.: 793-501/000-006**  
WMB marking card; as card; not stretchable; plain; snap-on type; blue



**Item No.: 793-501/000-007**  
WMB marking card; as card; not stretchable; plain; snap-on type; gray



**Item No.: 793-501/000-023**  
WMB marking card; as card; not stretchable; plain; snap-on type; green



**Item No.: 793-501/000-017**  
WMB marking card; as card; not stretchable; plain; snap-on type; light green



**Item No.: 793-501/000-012**  
WMB marking card; as card; not stretchable; plain; snap-on type; orange



**Item No.: 793-501/000-005**  
WMB marking card; as card; not stretchable; plain; snap-on type; red



**Item No.: 793-501/000-024**  
WMB marking card; as card; not stretchable; plain; snap-on type; violet



**Item No.: 793-501**  
WMB marking card; as card; not stretchable; plain; snap-on type; white



**Item No.: 793-501/000-002**  
WMB marking card; as card; not stretchable; plain; snap-on type; yellow



**Item No.: 2009-115/000-006**  
WMB-Inline; for Smart Printer; 1500 pieces on roll; stretchable 5 - 5.2 mm; plain; snap-on type; blue



**Item No.: 2009-115/000-007**  
WMB-Inline; for Smart Printer; 1500 pieces on roll; stretchable 5 - 5.2 mm; plain; snap-on type; gray



**Item No.: 2009-115/000-023**  
WMB-Inline; for Smart Printer; 1500 pieces on roll; stretchable 5 - 5.2 mm; plain; snap-on type; green



**Item No.: 2009-115/000-017**  
WMB-Inline; for Smart Printer; 1500 pieces on roll; stretchable 5 - 5.2 mm; plain; snap-on type; light green



**Item No.: 2009-115/000-012**  
WMB-Inline; for Smart Printer; 1500 pieces on roll; stretchable 5 - 5.2 mm; plain; snap-on type; orange



**Item No.: 2009-115/000-024**  
WMB-Inline; for Smart Printer; 1500 pieces on roll; stretchable 5 - 5.2 mm; plain; snap-on type; violet



**Item No.: 2009-115**  
WMB-Inline; for Smart Printer; 1500 pieces on roll; stretchable 5 - 5.2 mm; plain; snap-on type; white



**Item No.: 2009-115/000-002**  
WMB-Inline; for Smart Printer; 1500 pieces on roll; stretchable 5 - 5.2 mm; plain; snap-on type; yellow

1.1.5.2 Marker carrier



**Item No.: 2009-198**  
Adaptor; gray

1.1.5.3 Marking strip



**Item No.: 2009-110**  
Marking strips; for Smart Printer; on reel; not stretchable; plain; snap-on type; white