

# Product data sheet Spirotech

## Product name

**SpiroCombi MB3 - $\frac{3}{4}$ " -Magnet -Uni**

## Product properties

A brass (microbubble) deaerator and dirt separator with a magnet and a 22 mm - 2" universal connection

- Combined separation system - removes circulating air and microbubbles effectively
- Very small particles, from 5  $\mu\text{m}$  (= 0.005 mm), are separated and removed
- Including a magnet for extra protection and high efficient removal of magnetite
- Dirt can be discharged while the system is in operation
- No shut-off valves or bypass required
- Applicable with 50/50 Ethylene Glycol / Water (Volume)
- Improve cost control and energy efficiency
- Constant low pressure drop
- Connection diameters from 22 mm to 2" (G2)
- Exceptional guarantee

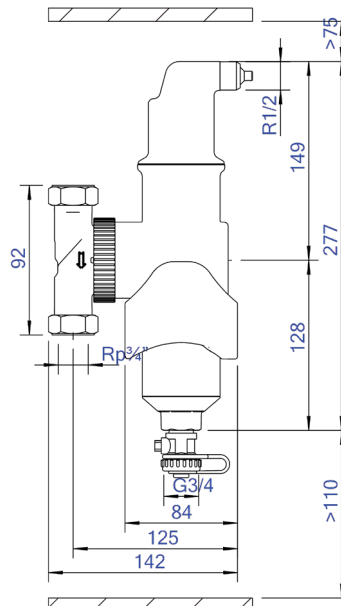
## Article number

**UC075WJ**

## Product image



## Product dimensions



# Product data sheet Spirotech

## ETIM product data

Housing material	Brass	Article compression class	PN 10
With drain valve	Yes	Surface protection	Untreated
Housing material quality	Other	Suitable for open system	No
Backwash filter	No	Suitable for closed system	Yes
Medium temperature (continuous)	0 - 110 °C	Suitable for solar	No
Max. operating pressure	10 bar	With dismountable filter	No
KVS value [m <sup>3</sup> /h] at ΔP 1 bar	8.79	Filter volume	0.58 l
Variable flow direction	Yes	Magnet operating principle	Yes
With insulation	No	With automatic de-aerator	Yes
Separator type	Air/dirt	Cleaning possible during operation	Yes
Connection	Compression ring	With couplers	Yes
Model	Horizontal/vertical	Inlet/outlet offset distance	0 mm
Nominal diameter	3/4 inch (20)	Material of connection	Brass
Max. glycol mixture	50 %	Material quality connection	Other
Suitable for heating	Yes	Flow-through capacity	0 - 1.3 m <sup>3</sup> /h
Suitable for cooling	Yes	Magnet location	External
Construction length	100 mm		

### Disclaimer

This product sheet has been compiled with the greatest possible care. Nevertheless, it may contain errors or omissions. For the most current and correct information we refer you to our website

