

# TRONIX

## Product Specification 215-302

### Features:

- \*Constant voltage design (C.V. mode)
- \*90-264VAC input .
- \*Fully encapsulated with IP67 level
- \*100% full load burn-in testing
- \*Cooling by free air convection
- \*Protections: Short circuit / Over loading
- \*Aluminum housing, abradable & easy for heat dissipation
- \*Suitable for LED lighting and moving sign applications
- \*2 years warranty



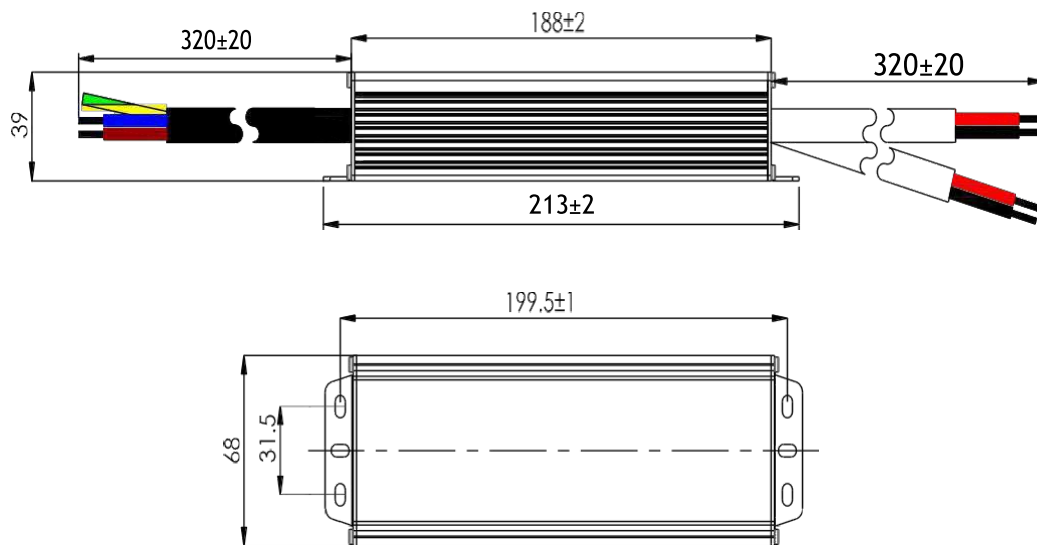
### SPECIFICATION

MODEL		215-302
OUTPUT	DC Voltage	24V±0.5V
	Rated Current	4.16A
	Rated Power	100W
	Ripple & Noise	≤300mVp-p
	Hold up time	
INPUT	Voltage Range	100~240VAC
	Frequency Range	50/60Hz
	Input current	≤1.5A
	Power Factor	PF≥0.50
	Efficiency	≥86%
	Inrush current	Cold Start: 30A/115VAC , 65A/230VAC
	Leakage Current	≤0.75mA/240VAC
Protection	Over Loading	120~150%
	Short Circuit	Protection type: Hiccup mode, recovers automatically after fault condition is removed.
	High Temp	85°C±5°C(Shut down, re-power on to recover )
Voltage Resistance	Input-Output	AC 1.5KV/5mA 3s
	Input-Housing	AC 1.5KV/5mA 3s
Environment	Working Temp.	-25°C ~ +40°C
	Working Humidity	10-90% RH non-condensing
	Storage Temp.	-40°C ~ +60°C, 10~95%RH

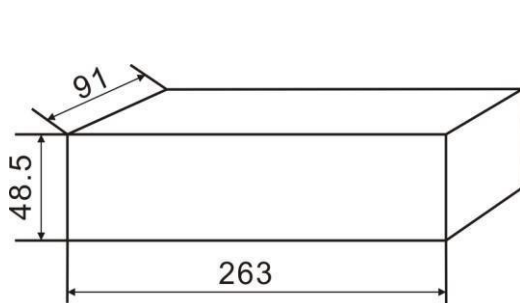
Cables	Input	VDE H03VV-F 3*0.75mm <sup>2</sup> Black*320mm
	Output	VDE H05VV-F2*1.0mm <sup>2</sup> White*320mm
Others	Housing Material	Aluminum Housing
	IP Rating	IP67
	Dimension	L213*W68*H39mm
	Packing	10.5Kg/10Pcs/ Carton
Note	<p>1. All parameters NOT specially mentioned are measured at 230VAC input, rated load and 25 of ambient temperature.</p> <p>2. Ripple &amp; noise are measured at 20MHz of bandwidth by using a 12" twisted pair-wire terminated with a 0.1uf &amp; 47uf parallel capacitor.</p> <p>3. The power supply is considered as a component that will be operated in combination with final equipment. Since EMC performance will be affected by the complete installation, the final equipment manufacturers must re-qualify EMC Directive on the complete installation again.</p> <p>4. Length of set up time is measured at first cold start. Turning ON/OFF the power supply may lead to increase of the set up time.</p> <p>5. Suitable for indoor use or outdoor use without direct sunlight exposure. Please avoid immerse in the water over 30 minutes.</p>	

### Mechanical Specification

Unit: mm

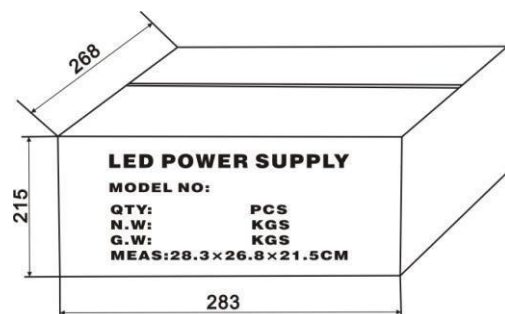


### Packing Specification



L263\*W91\*H48.5mm

**Inner Box size**



L283\*W268\*H215mm

**Carton Size**