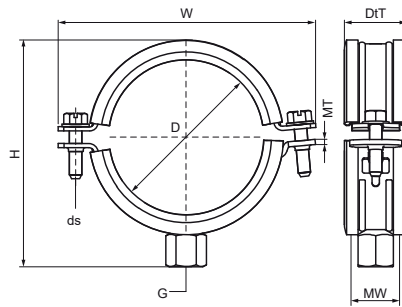


Walraven BISMAT® 2000 'S' (M8/M10) 2-screw

(A0536)

for steam pipes



Features & benefits

- two-screw clamp
- with Walraven BISMAT® quick locking system
- clamp easy to close with one hand
- material: steel
- zinc plated
- sound insulating lining according DIN 4109
- tested for fire safety
- heat resistant up to 210°C



Product Number	Outside Pipe Diameter	DN	Pipe Diameter Imperial	Connection Thread	Total Height	Total Width	Total Depth	Material Width	Material Thickness	Screw Size	Maximum Allowed Load Faz	Approvals
Reference Letter	D	D	D	G	H	W	DtT	MW	MT	ds	Fa,z	
Unit description	mm		"		mm	mm	mm	mm	mm		N	
3404080	73 - 80	DN 65	2½	M8/M10	109	126	30	23	2.00	M6	930	ITB (KOT), EPD
3404091	83 - 91	DN 80	3	M8/M10	121	137	30	25	2.50	M6	930	ITB (KOT), EPD
3404114	108 - 114	DN 100	4	M8/M10	141	160	30	25	2.50	M6	930	ITB (KOT), EPD
3404141	133 - 141	DN 125	5	M8/M10	170	189	30	25	2.50	M6	930	ITB (KOT), EPD
3404168	159 - 168	DN 150	6	M10	198	233	30	25	3.00	M8	930	ITB (KOT), EPD