

TRONIX

guided by light

LED Dimmer 215-131

Important: Read All Instructions Prior to Installation

INSTALLATION INSTRUCTION TRAILING EDGE DIMMER Art. 215-131

Features

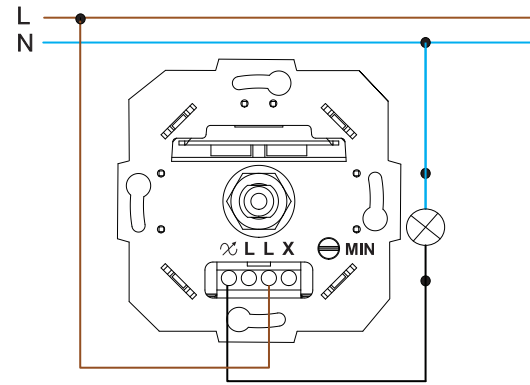
- No neutral required
- Soft start
- Suitable for 1-way or 2-way operation
- Overheating protection
- Smooth dimming compatible with most LED fittings

Technical specifications

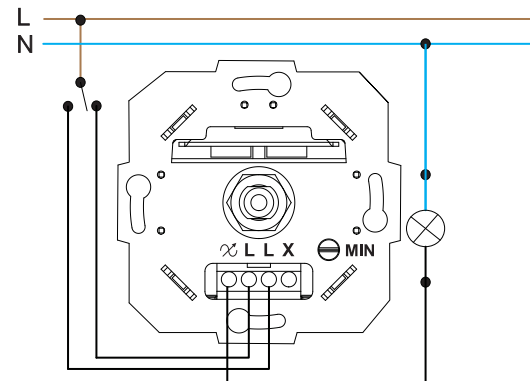
Dimming method:	Trailing edge
Supply voltage:	220-240V AC 50/60Hz
Load wattage:	10-350W(1.5A max)
Ta:	0...+40°C
Weight:	100g

Installing the dimmer

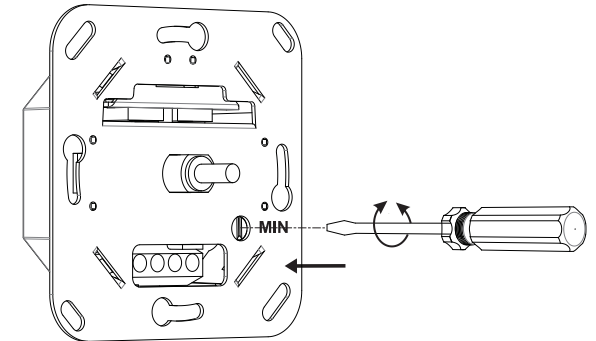
Installation of 1 way lighting switch.



Installation of 2 way lighting switches.



Setting the minimum brightness of the lamps.



- Switch the dimmer on.
- Dim the brightness right down using the rotary knob.
- Set the minimum brightness using the set-screw (MIN).

Operating the dimmer

- You switch the connected lamps on and off by pressing the rotary knob.
- By turning the rotary knob, you dim the lamps brighter or darker.

Important Note!

Only skilled electricians may install this electrical equipment otherwise there is the risk of fire or electric shock.