

# Concord

## EXPOSPOT 90 FIXED HO RA90 4000K NB WHITE 2070068



### Features

- Integrated LED fixed accent downlight, single head, ideal for retail and display applications, die-cast aluminium body, passive cooling, beam angle: 26°, optics: aluminium reflector and lens combination, colour temperature: 4000K neutral white, total system power: 35W, total fixture output: 3570lm, 102lm/W, LOR: 100%, colour rendering: Ra 90 typical, LED Chromacity: 3 step MacAdam ellipse, IR/UV free light source without heat radiation, operating voltage: 220-240V / 50-60Hz, electronic driver, non-dimmable, electrical protection: CLASS II, ingress protection rating: IP20, suitable for internal environment only, ceiling cut-out: 112mm, dimensions: 123x104mm, weight: 0.77kg.

### Product Overview

Product name	EXPOSPOT 90 FIXED HO RA90 4000K NB WHITE
Technology	LED
Cap/Base	N/A
Housing	Aluminium
Mount	Ceiling recessed mounting
Fixture rating	Enclosed
Fixture luminous flux (lm)	3570
Luminaire efficacy (lm/W)	102
LOR (%)	100
Colour temperature (K)	4000
Light colour	Neutral White
CRI (Ra)	90
Colour Variation Initial (SDCM)	3
Photobiological Risk Group	RG1
Total power consumption (W)	35
Electrical protection	Class II
Control gear type	Electronic ballast

# Concord

## EXPOSPOT 90 FIXED HO RA90 4000K NB WHITE 2070068

**Control gear mounting**

Remote

**Housing colour**

White

**IP rating**

IP20

**IK rating**

IK02

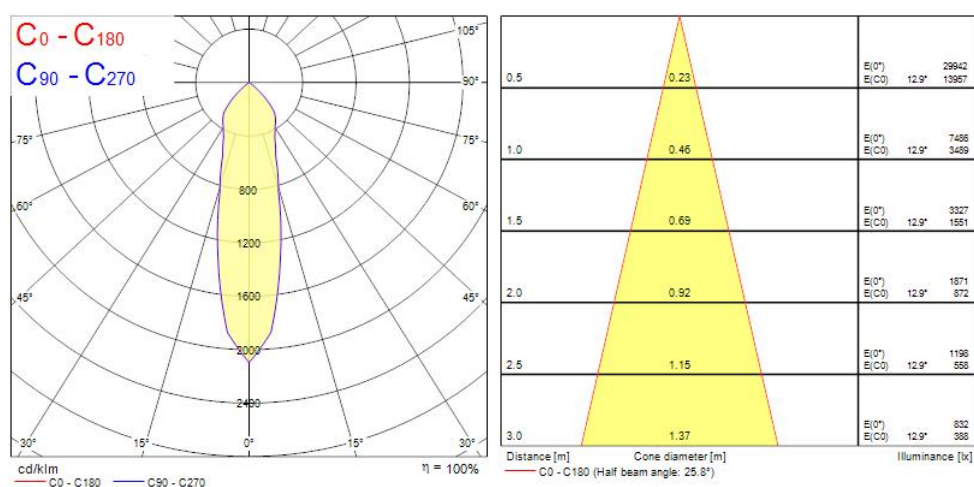
**Product EAN number**

5025768700684

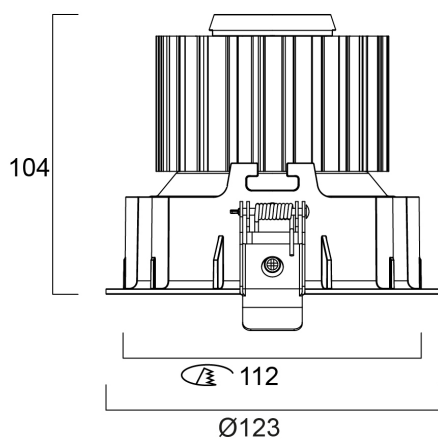
**Warranty**

5 years

### Photometry



### Technical drawings



# Concord

## EXPOSPOT 90 FIXED HO RA90 4000K NB WHITE 2070068

### Data table

#### GENERAL DATA

Product name	EXPOSPOT 90 FIXED HO RA90 4000K NB WHITE
Technology	LED
Cap/Base	N/A
Housing	Aluminium
Mount	Ceiling recessed mounting
Fixture rating	Enclosed
Performance ambient temperature Tq (°C)	25
Warranty	5 years

#### OPTICAL DATA

Fixture luminous flux (lm)	3570
Luminaire efficacy (lm/W)	102
LOR (%)	100
Colour temperature (K)	4000
Light colour	Neutral White
CRI (Ra)	90
Colour Variation Initial (SDCM)	3
Photobiological Risk Group	RG1

#### ELECTRICAL DATA

Total power consumption (W)	35
Primary Supply/Product voltage - min (V)	220
Lamp power factor	0.95
Electrical protection	Class II
Control gear required	No
Control gear type	Electronic ballast
Control gear mounting	Remote
Drive current (mA)	900
Inrush Current (A)	19.4

# Concord

## EXPOSPOT 90 FIXED HO RA90 4000K NB WHITE 2070068

Inrush Duration ( $\mu$ s)	250
Glow Wire Test ( $^{\circ}$ C)	850
Energy Efficiency Class (A->G) of contained light source	E
Nominal Frequency (Hz)	50/60Hz
Max. products per 10A C Breaker	21
Max. products per 20A B Breaker	27

### LIFETIME DATA

Lifespan L70 B50	100000
Lifespan L80 B20	100000
Lifespan L90 B10	54500

### PHYSICAL DATA

Housing colour	White
IP rating	IP20
IK rating	IK02
Nominal Product Width (mm)	123
Nominal Product Diameter (mm)	123
Weight (kg)	0.77
Recessed Depth (mm)	104

### PACKAGING

Single packaging type	Carton
Product EAN number	5025768700684
Packaging single width (cm)	18.0
Packaging single depth (cm)	16.0
DUN14 (outer)	05025768700684
Packaging outer length / height (cm)	18.0

### SAFETY DATA

Special purpose lamp	No
Dry applications use only	No

# Concord

EXPOSPOT 90 FIXED HO RA90 4000K NB WHITE  
**2070068**

---

Suitable for household illumination

No