

Product data sheet Spirotech

Product name

SpiroCombi MB3 -28mm -Magnet -Uni

Product properties

A brass (microbubble) deaerator and dirt separator with a magnet and a 22 mm - 2" universal connection

- Combined separation system - removes circulating air and microbubbles effectively
- Very small particles, from 5 μm (= 0.005 mm), are separated and removed
- Including a magnet for extra protection and high efficient removal of magnetite
- Dirt can be discharged while the system is in operation
- No shut-off valves or bypass required
- Applicable with 50/50 Ethylene Glycol / Water (Volume)
- Improve cost control and energy efficiency
- Constant low pressure drop
- Connection diameters from 22 mm to 2" (G2)
- Exceptional guarantee

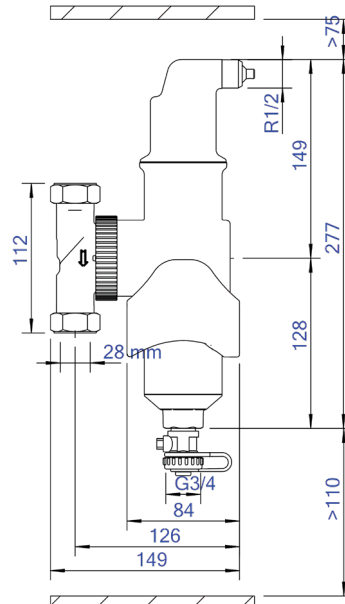
Article number

UC028WJ

Product image



Product dimensions



Product data sheet Spirotech

ETIM product data

Housing material	Brass
With drain valve	Yes
Housing material quality	Other
Backwash filter	No
Medium temperature (continuous)	0 - 110 °C
Max. operating pressure	10 bar
KVS value [m ³ /h] at ΔP 1 bar	11.55
Variable flow direction	Yes
With insulation	No
Separator type	Air/dirt
Connection	Compression ring
Model	Horizontal/vertical
Nominal diameter	Other
Max. glycol mixture	50 %
Suitable for heating	Yes
Suitable for cooling	Yes
Outer pipe diameter	28 mm

Construction length	120 mm
Article compression class	PN 10
Surface protection	Untreated
Suitable for open system	No
Suitable for closed system	Yes
Suitable for solar	No
With dismountable filter	No
Filter volume	0.59 l
Magnet operating principle	Yes
With automatic de-aerator	Yes
Cleaning possible during operation	Yes
With couplers	Yes
Inlet/outlet offset distance	0 mm
Material of connection	Brass
Material quality connection	Other
Flow-through capacity	0 - 2 m ³ /h
Magnet location	External

Disclaimer

This product sheet has been compiled with the greatest possible care. Nevertheless, it may contain errors or omissions. For the most current and correct information we refer you to our website

