



Features

- Ceiling / wall luminaire with integrated LED. Perfect solution for hallways, circulation spaces or foyer. Even and uniform light distribution with a halo lighting effect on the wall surface. Body Size diameter 330mm. Besa mounting box compatible, hole distance 51mm. DualTone functionality enables switch between 3000K and 4000K colour temperatures. Power 18W, output 1550 lumens (4000k). Supplied with integrated Microwave sensor for automatic on-off presence control. IK03, IP44. Low maintenance with 30,000 hours LED life expectancy.

Product Overview

Product name	SYLCIRCLE IP44 1550LM MW 830/840 DUALTONE
Technology	LED
Cap/Base	N/A
Housing	Steel
Mount	Ceiling surface mounting
Fixture luminous flux (lm)	1550
Luminaire efficacy (lm/W)	85
Light colour	Amber White or Neutral White
CRI (Ra)	80
Colour Variation Initial (SDCM)	6
Photobiological Risk Group	RG0
Total power consumption (W)	18
Electrical protection	Class I
Control gear type	LED driver constant current
LED Flickering Rate	High (>40%)
Housing colour	White
IP rating	IP44
IK rating	IK03

SYLCIRCLE IP44 1550LM MW 830/840 DUALTONE 0043506

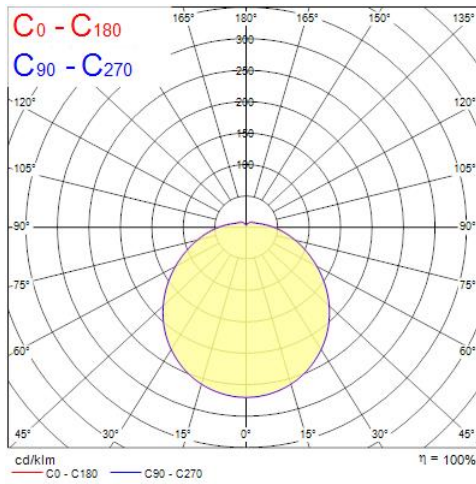
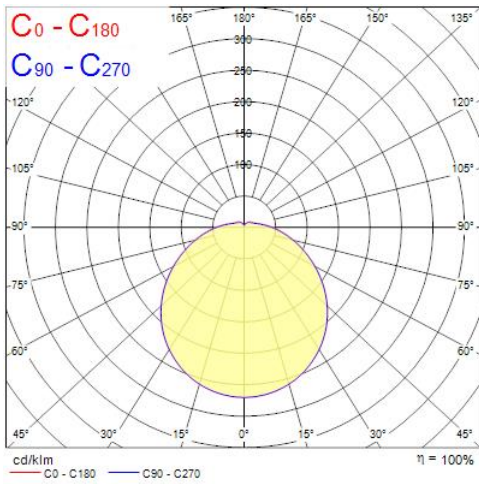
Product EAN number

5410288435060

Warranty

3 years

Photometry



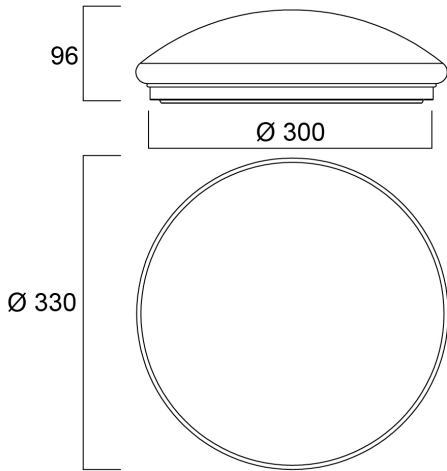
Distance [m]	Cone diameter [m]	E(0°)	E(C90)	E(C0)	Illuminance [lx]
0.5	1.67	1675	59.1°	114	114
	1.69		59.4°	111	
1.0	3.34	419	59.1°	28	28
	3.38		59.4°	28	
1.5	5.01	186	59.1°	13	13
	5.07		59.4°	12	
2.0	6.68	105	59.1°	7	7
	6.76		59.4°	7	
2.5	8.35	67	59.1°	5	5
	8.45		59.4°	4	
3.0	10.03	47	59.1°	3	3
	10.15		59.4°	3	

Distance [m] Cone diameter [m] Illuminance [lx]
 — C0 - C180 (Half beam angle: 118.8°)
 — C90 - C270 (Half beam angle: 118.2°)

Distance [m]	Cone diameter [m]	E(0°)	E(C90)	E(C0)	Illuminance [lx]
0.5	1.67	1540	59.1°	105	105
	1.69		59.4°	102	
1.0	3.34	385	59.1°	25	25
	3.38		59.4°	25	
1.5	5.01	171	59.1°	12	12
	5.07		59.4°	11	
2.0	6.68	96	59.1°	7	7
	6.76		59.4°	6	
2.5	8.35	62	59.1°	4	4
	8.45		59.4°	4	
3.0	10.03	43	59.1°	3	3
	10.15		59.4°	3	

Distance [m] Cone diameter [m] Illuminance [lx]
 — C0 - C180 (Half beam angle: 118.8°)
 — C90 - C270 (Half beam angle: 118.2°)

Technical drawings



Data table

GENERAL DATA

Product name	SYLCIRCLE IP44 1550LM MW 830/840 DUALTONE
Technology	LED
Cap/Base	N/A
Housing	Steel
Mount	Ceiling surface mounting
Operating temperature range (°C)	-20°C...+40°C
Performance ambient temperature Tq (°C)	25
Warranty	3 years

OPTICAL DATA

Fixture luminous flux (lm)	1550
Luminaire efficacy (lm/W)	85
Correlated colour temperature range (K)	3000 - 4000
Light colour	Amber White or Neutral White

SYLCIRCLE IP44 1550LM MW 830/840 DUALTONE 0043506

CRI (Ra)	80
Colour Variation Initial (SDCM)	6
Photobiological Risk Group	RG0

ELECTRICAL DATA

Total power consumption (W)	18
Primary Supply/Product voltage - min (V)	220
Lamp power factor	0.7
Electrical protection	Class I
Control gear required	No
Control gear type	LED driver constant current
Drive current (mA)	57
Inrush Current (A)	2
Inrush Duration (μ s)	30
Glow Wire Test ($^{\circ}$ C)	650
Energy Efficiency Class (A->G) of contained light source	E
Nominal Frequency (Hz)	50/60Hz
LED Flickering Rate	High (>40%)
Max. products per 10A C Breaker	15
Max. products per 20A B Breaker	30
Connectable conductor cross section - Min (mm ²)	1
Connectable conductor cross section - Max (mm ²)	2.5

LIFETIME DATA

Lifespan L70 B50	30000
------------------	-------

PHYSICAL DATA

Housing colour	White
IP rating	IP44
IK rating	IK03
Diffuser finish	Opal

SYLCIRCLE IP44 1550LM MW 830/840 DUALTONE 0043506

Diffuser material	Polypropylene
Nominal Product Diameter (mm)	330
Weight (kg)	0.57

PACKAGING

Single packaging type	Carton
Product EAN number	5410288435060
Packaging single width (cm)	9.9
Packaging single depth (cm)	33.2
DUN14 (outer)	15410288435067
Packaging outer length / height (cm)	64.2

SAFETY DATA

Optimal operating condition (°C)	-20-40
Special purpose lamp	No
Dry applications use only	No
Suitable for household illumination	No