

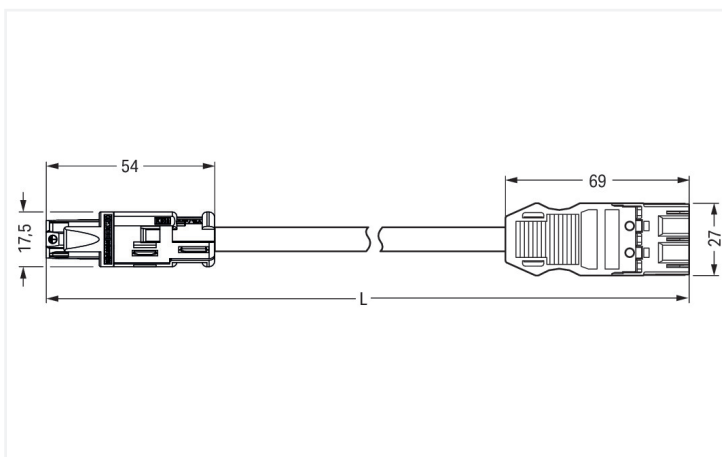
**Data Sheet | Item Number: 774-9973/1516-505**

pre-assembled adapter cable; Eca; Socket/plug MIDI; 3-pole; Cod. S; H05Z1Z1-F  
3x1,5 mm<sup>2</sup>; 5 m; 1,50 mm<sup>2</sup>; brown

<https://www.wago.com/774-9973/1516-505>



Color: ■ brown



Dimensions in mm

Cable assembly WINSTA® RD rated current 16 A

The WINSTA® RD cable assembly with protection against mismatching supports fast, reliable installation. WAGO pluggable installation connectors are useful when specifications repeat or are planned on a specific grid, for example for installing grid lighting or flush-mount lighting. For greater protection in electrical installations, the pluggable installation connector is provided with mechanical protection against mismatching. The pluggable installation con-

ector is protected against ingress by solid objects in accordance with protection type IP20 (When mated: IP2xC (These compact connectors are not designed for use in open, easily accessible areas!)). **WINSTA® RD:** Solutions from this product line fit into drill holes and conduits with diameters up to 20 mm. According to the European CPR, the fire class of the cables used in construction is decisive for the safety of buildings, too. For buildings with average safety requirements, cable assemblies with fire class E are suitable. The cable assembly is halogen-free. This eliminates the addition of environmental pollutants during production. It also increases the fire class, since halogen-free materials do not easily ignite.

Fast, secure pluggable connections – cable assemblies from WAGO

A RD socket and a MIDI plug are provided. The WINSTA® Pluggable Connection System allows pluggable electrical installation. This significantly reduces the need for servicing and lowers costs. Now you can also lower installation costs without compromising safety and quality: with protection against mismatching reduces the need for servicing and prevents unnecessary downtime.

- protection against mismatching eliminates errors
- saves time, since no wiring is required at the construction site
- for AC applications
- custom-engineered solutions
- fast, secure installation

## Notes

Note Cables with a different fire class can be found in the eShop.

## Electrical data

Ratings per	IEC/EN 60664-1			General information	
Overvoltage category	III	III	II	Note on contact resistance	approx. 1 mΩ of contact resistance approx. 0.25 mΩ contact transition plug/ socket
Pollution degree	3	2	2		
Nominal voltage	250 V	-	-		
Rated impulse withstand voltage	4 kV	-	-		
Rated current	16 A	-	-		

## Connection Data

Total number of potentials	3	<b>Connection 1</b>	
		Pole number	3
		Wire cross-section	1.5 mm <sup>2</sup>
		Connection type	RD socket - MIDI plug

## Physical data

Width	27 mm / 1.063 inches
Height	17.5 mm / 0.689 inches
Total length	5 m

## Mechanical data

Use	Switching function
Coding	S
Variable coding	No
Marking	1 2 L
Potential marking	L 2 1
Mating force of a plug-in connection	Approx. 30 ... 70 N (depending on pole number)
Retention force of a plug-in connection	when locked: > 80N
Unmating force of a plug-in connection	Unlocked: approx. 30 ... 70 N (depending on pole number)
Number of mating cycles	200, without resistive load
Connection type	RD socket - MIDI plug
Type of pre-assembled cable	Adapter cable
Cable type	H05Z1Z1-F 3x1.5

### Mechanical data

Protection type	IP20; When mated: IP2xC (These compact connectors are not designed for use in open, easily accessible areas!)
-----------------	---------------------------------------------------------------------------------------------------------------

### Plug-in connection

Mismating protection	Yes
Note on mismating protection	All <i>WINSTA</i> ® components are 100% protected against mismating when: a.) plugging different numbers of poles b.) plugging while incorrectly rotated c.) plugging while laterally staggered
Locking of plug-in connection	Locking lever

### Material data

Note (material data)	<a href="#">Information on material specifications can be found here</a>
Color	brown
Insulation material (main housing)	Polyamide (PA66)
Fire class per EN 50575	E <sub>ca</sub>
Contact material	Copper or copper alloy; surface-treated
Contact Plating	Tin
Fire load	148.957 MJ
Connector color	brown
Strain relief color	black
Sheathed cable color	black
Printing color of sheathed cable	white
Halogen-free	Yes
Silicon-free	Yes
Sheath material	Halogen-free
Rubber cable	No
Weight	502.2 g
Copper weight of the raw cable	0.043 kg/m

### Environmental requirements

Processing temperature	-5 ... +40 °C
Continuous operating temperature	-35 ... +85 °C
Note on continuous operating temperature	Cable for temperatures ≤ 70 °C (including halogen-free) Insulating parts for temperatures ≤ 105 °C

### Commercial data

PU (SPU)	1 pcs
Packaging type	unpacked
Country of origin	DE
GTIN	4055143522786
Customs tariff number	85444290900

**Product Classification**

UNSPSC	26121629
eCl@ss 10.0	27-44-06-04
eCl@ss 9.0	27-44-06-04
ETIM 9.0	EC002587
ETIM 10.0	EC002587
ECCN	NO US CLASSIFICATION

**Environmental Product Compliance**

RoHS Compliance Status	Compliant, No Exemption
------------------------	-------------------------

**Approvals / Certificates**

**General approvals** **Declarations of conformity and manufacturer's declarations**



Approval	Standard	Certificate Name
CCA DEKRA Certification B.V.	EN 61535	NTR NL-7969
CCA DEKRA Certification B.V.	EN 61984	NTR NL-7848
KEMA/KEUR DEKRA Certification B.V.	EN 61535	71-123229
KEMA/KEUR DEKRA Certification B.V.	EN 61984	71-114944

Approval	Standard	Certificate Name
EU-Declaration of Confor- mity WAGO GmbH & Co. KG	-	-
UK-Declaration of Confor- mity WAGO GmbH & Co. KG	-	-

**Downloads**

**Environmental Product Compliance**

**Compliance Search**

Environmental Product Compliance 774-9973/1516-505	↓
-------------------------------------------------------	---

**Documentation**

**Bid Text**

774-9973/1516-505	19.02.2019	xml 2.97 KB	↓
774-9973/1516-505	19.02.2015	doc 24.00 KB	↓

## CAD/CAE-Data

### CAE data

WSCAD Universe  
774-9973/1516-505



## 1 Compatible Products

### 1.1 Required Accessories

#### 1.1.1 Cover

##### 1.1.1.1 Cover



**Item No.: 770-360**

Lockout cap; for plugs; 5-pole; separable; yellow

#### 1.1.2 Locking system

##### 1.1.2.1 Locking system



**Item No.: 770-101**

Locking lever; for flying leads; for manual operation; black



**Item No.: 770-121**

Locking lever; for flying leads; for manual operation; white



**Item No.: 770-111**

Locking lever; for flying leads; for tool operation; black



**Item No.: 770-131**

Locking lever; for flying leads; for tool operation; white

## 1.2 Optional Accessories

### 1.2.1 Coding

#### 1.2.1.1 Coding



**Item No.: 770-401**

Coding pin; for plugs; Plastic; gray