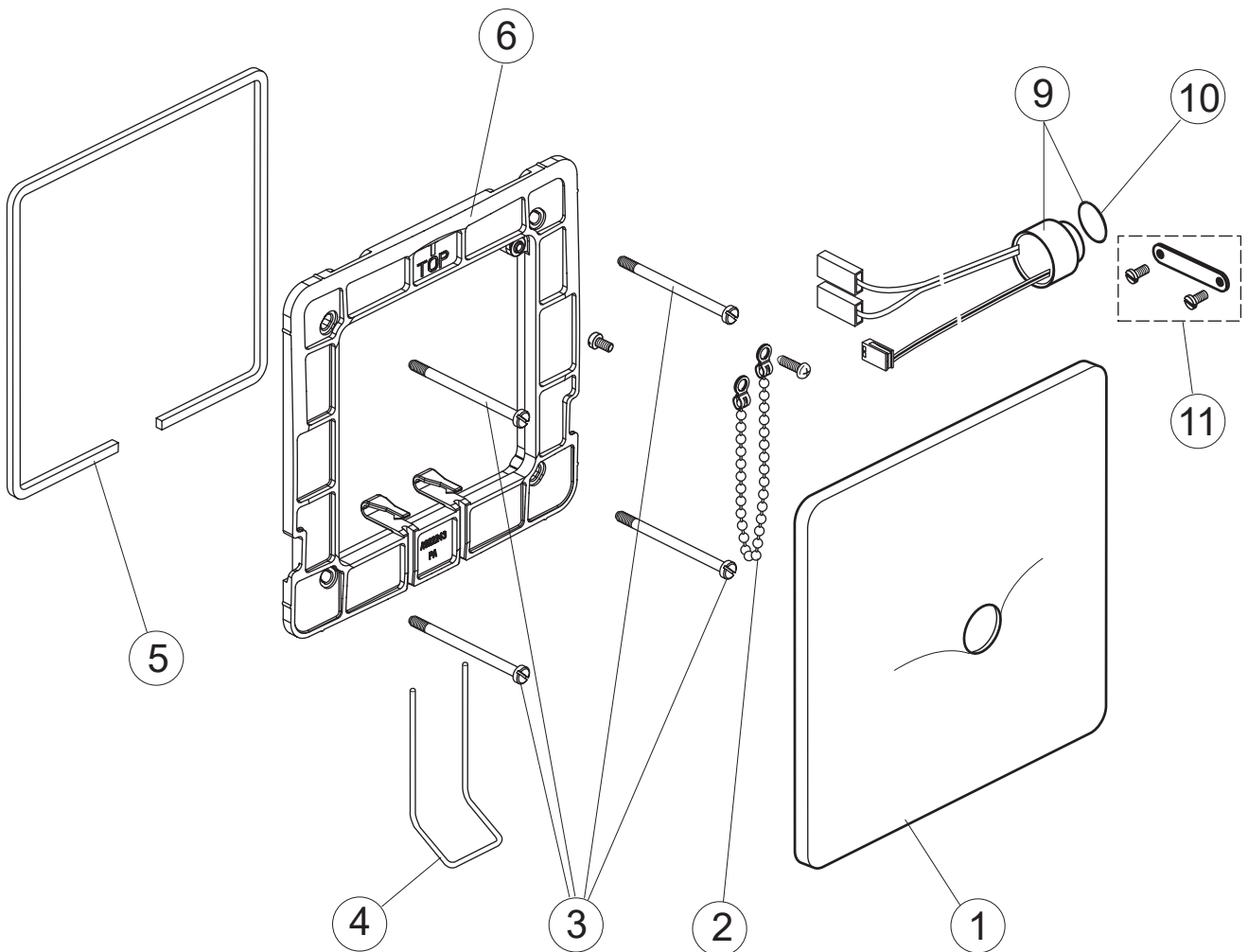
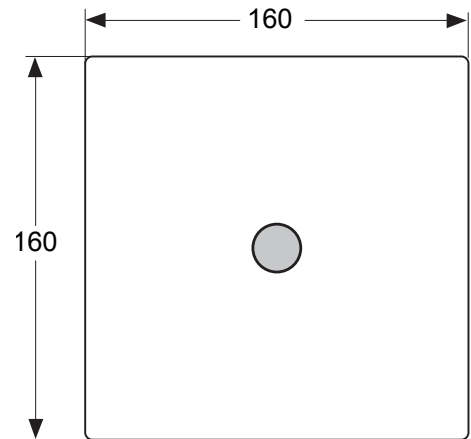


Produced from: April 2021

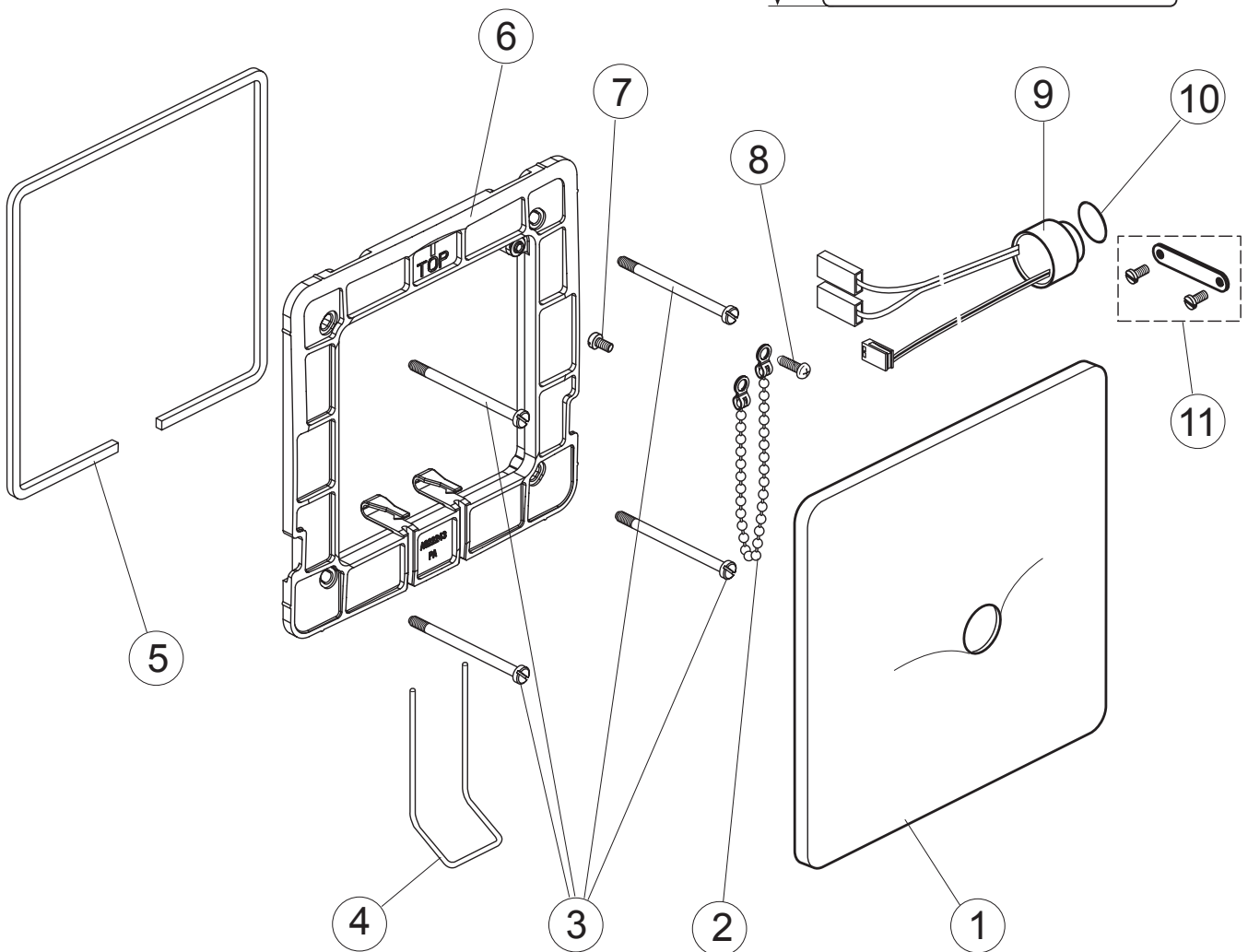
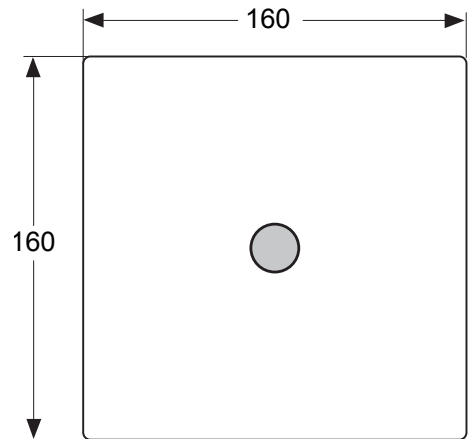
CS Commercial Electronic Urinal
Design parts complete with sensor
stainless steel **A3732XJ**



Pos.	Description	Part-Number	Qty.	Pos.	Description	Part-Number	Qty.
1	Escutcheon for Urinal	A 960 343 XJ	1 pcs				
2	Ball chain 160mm long	A 960 347 AT	1 pcs				
3	Cylindrical screw M4x59	A 963 331 NU	3 pcs				
4	Key for disassembly	A 960 344 NU	1 pcs				
5	Gasket 3x4x500mm	A 960 345 NU	1 pcs				
6	Escutcheon holder	A 960 346 NU	1 Set				
9	Sensor complete + Pos.10	A 861 713 NU	1 pcs				
10	O - Ring Ø 15,6 x 1,78	A 961 182 NU	2 pcs				
11	Sensor fixation (tin+screws)	A 960 342 NU	1 pcs				

Produced to: **March 2021**

CS Commercial Electronic Urinal
Design parts complete with sensor
stainless steel **A3732XJ**



Pos.	Description	Part-Number	Qty.	Pos.	Description	Part-Number	Qty.
1	Escutcheon for Urinal	A 960 343 XJ	1 pcs				
2	Ball chain 160mm long	A 960 347 AT	1 pcs				
3	Cylindrical screw M4x59	A 963 331 NU	3 pcs				
4	Key for disassembly	A 960 344 NU	1 pcs				
5	Gasket 3x4x500mm	A 960 345 NU	1 pcs				
6	Escutcheon holder	A 960 346 NU	1 Set				
7	Cylindrical screw M3x6	A 962 567 NU	1 pcs				
8	Ejot-PT screw KB 35x12	A 960 152 NU	4 pcs				
9	Sensor complete + Pos.10	A 960 219 NU	1 pcs				
10	O - Ring Ø 15,6 x 1,78	A 961 182 NU	2 pcs				
11	Sensor fixation (tin+screws)	A 960 342 NU	1 pcs				