

Concord

BEACON SNOOT 2059758



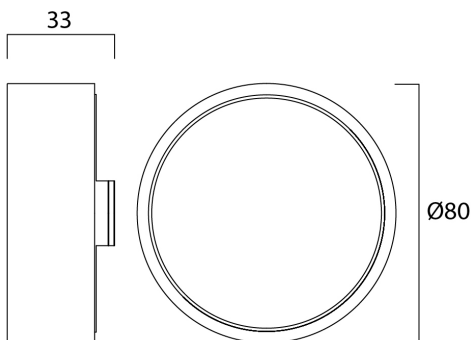
Features

- Snoot accessory, black RAL 9006, attachment for reducing glare and controlling light spill, ideal for increasing visual comfort in museum, gallery and high-end retail applications, suitable for use with Beacon, Beacon Accent, Beacon Muse Tune II and Beacon Muse II, dimension: Ø80x33mm.

Product Overview

Product name	BEACON SNOOT
Technology	Accessory
Environment	Internal
E-number FI	4280835
Product EAN number	5025768597581
Warranty	5 years

Technical drawings



Concord

BEACON SNOOT 2059758

Data table

GENERAL DATA

Product name	BEACON SNOOT
Technology	Accessory
Environment	Internal
E-number FI	4280835
Warranty	5 years

OPTICAL DATA

Adjustable chromaticity	N
-------------------------	---

ELECTRICAL DATA

Control gear required	No
Glow Wire Test (°C)	650

PHYSICAL DATA

Nominal Product Length (mm)	33
Nominal Product Width (mm)	80
Weight (kg)	0.04

PACKAGING

Single packaging type	Carton
Product EAN number	5025768597581
Packaging single width (cm)	25.0
Packaging single depth (cm)	12.5
DUN14 (outer)	05025768597581
Packaging outer length / height (cm)	27.5

SAFETY DATA

Special purpose lamp	No
----------------------	----

Concord

BEACON SNOOT
2059758

Dry applications use only	No
Suitable for household illumination	No