



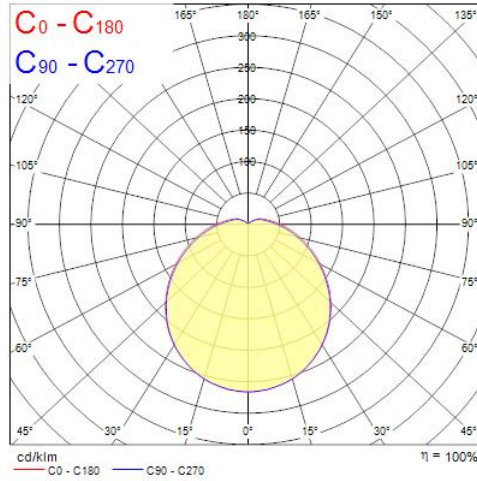
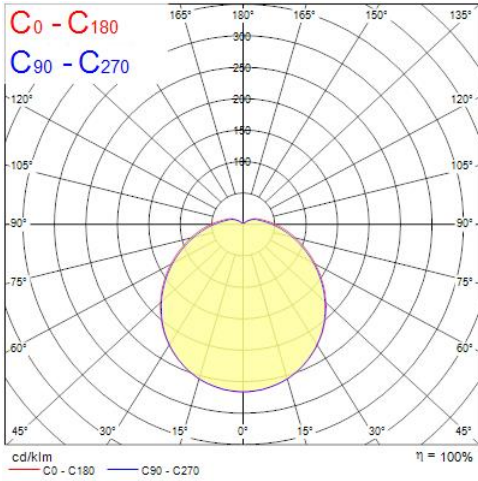
Features

- Ceiling / wall luminaire with integrated LED. Perfect solution for hallways, circulation spaces or foyer. Even and uniform light distribution with a halo lighting effect on the wall surface. Body Size diameter 250mm. Besa mounting box compatible, hole distance 51mm. DualTone functionality enables switch between 3000K and 4000K colour temperatures. Power 12W, output 1025 lumens (4000k). Non-dimmable. IK03, IP44. Low maintenance with 30,000 hours LED life expectancy.

Product Overview

Product name	SYLCIRCLE IP44 1025LM 830/840 DUALTONE
Technology	LED
Cap/Base	N/A
Housing	Steel
Mount	Ceiling surface mounting
Fixture luminous flux (lm)	1025
Luminaire efficacy (lm/W)	85
Light colour	Amber White or Neutral White
CRI (Ra)	80
Colour Variation Initial (SDCM)	6
Photobiological Risk Group	RG0
Total power consumption (W)	12
Electrical protection	Class I
Control gear type	LED driver constant current
LED Flickering Rate	High (>40%)
Housing colour	White
IP rating	IP44
IK rating	IK03
Product EAN number	5410288434971
Warranty	3 years

Photometry



Distance [m]	Cone diameter [m]	E(0°)	E(C90)	E(C0)	Illuminance [lx]
0.5	1.70	990	59.6'	64	990
	1.77	64	59.6'	59	64
1.0	3.41	247	59.6'	16	247
	3.53	16	59.6'	15	16
1.5	5.11	110	59.6'	7	110
	5.30	7	59.6'	7	7
2.0	6.82	62	59.6'	4	62
	7.07	4	59.6'	4	4
2.5	8.52	40	59.6'	3	40
	8.84	3	59.6'	2	3
3.0	10.23	27	59.6'	2	27
	10.60	2	59.6'	2	2

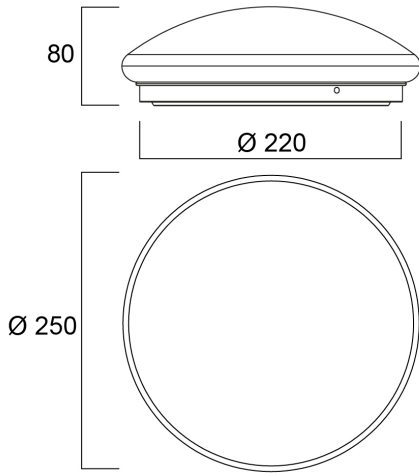
Distance [m] Cone diameter [m] Illuminance [lx]
 — C0 - C180 (Half beam angle: 121.0°)
 — C90 - C270 (Half beam angle: 119.2°)

Distance [m]	Cone diameter [m]	E(0°)	E(C90)	E(C0)	Illuminance [lx]
0.5	1.70	1091	59.6'	71	1091
	1.77	71	59.6'	66	71
1.0	3.41	273	59.6'	18	273
	3.53	18	59.6'	16	18
1.5	5.11	121	59.6'	8	121
	5.30	8	59.6'	7	8
2.0	6.82	68	59.6'	4	68
	7.07	4	59.6'	4	4
2.5	8.52	44	59.6'	3	44
	8.84	3	59.6'	3	3
3.0	10.23	30	59.6'	2	30
	10.60	2	59.6'	2	2

Distance [m] Cone diameter [m] Illuminance [lx]
 — C0 - C180 (Half beam angle: 121.0°)
 — C90 - C270 (Half beam angle: 119.2°)

SYLCIRCLE IP44 1025LM 830/840 DUALTONE 0043497

Technical drawings



Data table

GENERAL DATA

Product name	SYLCIRCLE IP44 1025LM 830/840 DUALTONE
Technology	LED
Cap/Base	N/A
Housing	Steel
Mount	Ceiling surface mounting
Operating temperature range (°C)	-20°C...+40°C
Performance ambient temperature Tq (°C)	25
Warranty	3 years

OPTICAL DATA

Fixture luminous flux (lm)	1025
Luminaire efficacy (lm/W)	85
Correlated colour temperature range (K)	3000 - 4000
Light colour	Amber White or Neutral White
CRI (Ra)	80

SYLCIRCLE IP44 1025LM 830/840 DUALTONE 0043497

Colour Variation Initial (SDCM)	6
Photobiological Risk Group	RG0

ELECTRICAL DATA

Total power consumption (W)	12
Primary Supply/Product voltage - min (V)	220
Lamp power factor	0.8
Electrical protection	Class I
Control gear required	No
Control gear type	LED driver constant current
Drive current (mA)	38
Inrush Current (A)	0.5
Inrush Duration (μ s)	30
Glow Wire Test ($^{\circ}$ C)	650
Energy Efficiency Class (A->G) of contained light source	E
Nominal Frequency (Hz)	50/60Hz
LED Flickering Rate	High (>40%)
Max. products per 10A C Breaker	60
Max. products per 20A B Breaker	72
Connectable conductor cross section - Min (mm ²)	1
Connectable conductor cross section - Max (mm ²)	2.5

LIFETIME DATA

Lifespan L70 B50	30000
------------------	-------

PHYSICAL DATA

Housing colour	White
IP rating	IP44
IK rating	IK03
Diffuser finish	Opal
Diffuser material	Polypropylene

SYLCIRCLE IP44 1025LM 830/840 DUALTONE 0043497

Nominal Product Diameter (mm)	250
Weight (kg)	0.25

PACKAGING

Single packaging type	Carton
Product EAN number	5410288434971
Packaging single width (cm)	8.3
Packaging single depth (cm)	25.2
DUN14 (outer)	15410288434978
Packaging outer length / height (cm)	54.6

SAFETY DATA

Optimal operating condition (°C)	-20-40
Special purpose lamp	No
Dry applications use only	No
Suitable for household illumination	No