

Product data sheet Spirotech

Product name

SpiroVent Solar -1½” -Hor -AutoClose -HighT

Product properties

A brass (microbubble) deaerator - Autoclose for Solar & high-temperature systems (max. 180 °C) with a 22 mm - 1½” horizontal connection

- Specially developed for Solar (high temperature & pressure) installations
- Applicable with max. 20% - 50% Ethylene Glycol and water (Volume)
- Removes microbubbles, circulating and trapped air
- Greatly reduces commissioning times
- Minimal constant pressure drop
- No unnecessary shutdown
- Long lasting valve seat
- Connection diameters from 22 mm to 1½” (G1½)
- Prevents stagnation
- Solar fluid will not prematurely degenerate
- System will not boil dry via the deaerator
- No more climbing the roof to deaerate
- Permanent air-free, efficient installation
- Suitable for new and existing installations

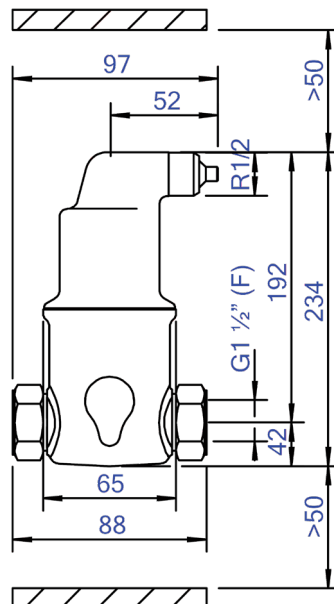
Article number

AA150FBA08

Product image



Product dimensions



Product data sheet Spirotech

ETIM product data

Housing material	Brass	Construction length	88 mm
With drain tap	No	Article compression class	PN 10
Housing material quality	Other	Surface protection	Untreated
Backwash filter	No	Suitable for open system	No
Medium temperature (continuous)	0 - 180 °C	Suitable for closed system	Yes
Max. operating pressure	10 bar	Suitable for solar	Yes
Kvs value	43.85	With dismountable filter	No
Variable flow direction	Yes	Filter volume	0.32 l
With insulation	No	Magnet operating principle	No
Separator type	Air	With automatic de-aerator	Yes
Connection	Internal thread cylindrical BSPP-G (ISO 228-1)	With couplers	Yes
Model	Horizontal	Inlet/outlet offset distance	0 mm
Nominal diameter	1 1/2 inch (40)	Material of connection	Brass
Max. glycol mixture	50 %	Material quality connection	Other
Suitable for heating	No	Flow-through capacity	0 - 5 m ³ /h
Suitable for cooling	No		

Disclaimer

This product sheet has been compiled with the greatest possible care. Nevertheless, it may contain errors or omissions. For the most current and correct information we refer you to our website.

