

83 060 979 Product version from 7/1/2023



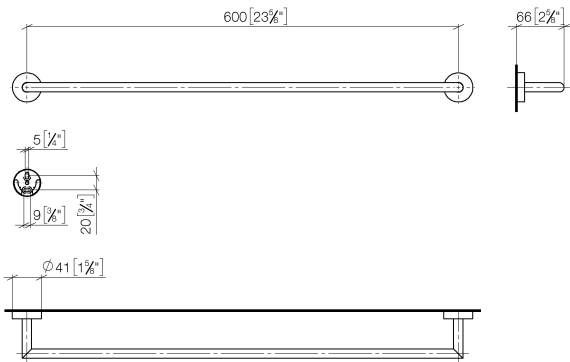
- gauge 600 mm
- width 640mm
- height 40 mm
- rosette Ø 40 mm
- 65mm projection

Fits ELIO, ENO, MEM, META SQUARE, SYNC and TARA ULTRA

	Chrome	83 060 979-00
	Brushed Platinum	83 060 979-06
	Dark Chrome	83 060 979-19
	Brushed Durabronze (23kt Gold)	83 060 979-28
	Matte Black	83 060 979-33
	Brushed Gold (PVD)	83 060 979-37
	Brushed Dark Brass (PVD)	83 060 979-39
	Brushed Bronze (PVD)	83 060 979-42
	Brushed Dark Bronze (PVD)	83 060 979-43
	Brushed Champagne (22kt Gold)	83 060 979-46
	Champagne (22kt Gold)	83 060 979-47
	Brushed Chrome	83 060 979-93
	Brushed Dark Platinum	83 060 979-99

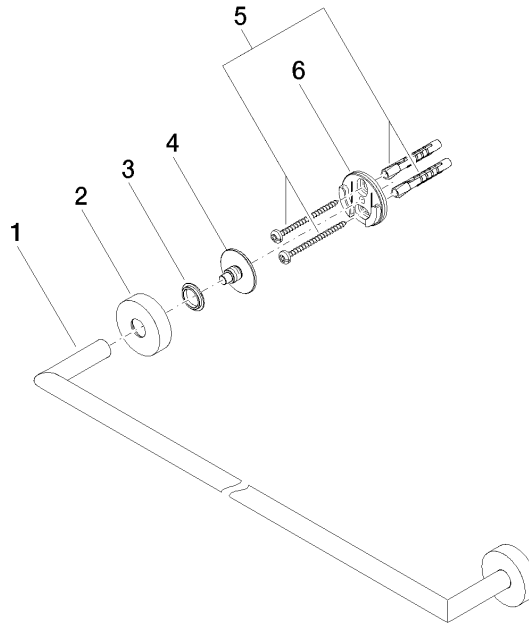
83 060 979 Product version from 7/1/2023

mm [inches]



83 060 979 Product version from 7/1/2023

Parts for other finishes can be found here: Brushed Platinum



Spare parts list

No.	Item Number	Name	Quantity used	Delivery time
4	08 17 97 560 90	Holder Ø 32 x 16 mm -	2.00	14
5	05 30 31 025 00 90	Mounting Bolt Round head 4,5 x 60 mm -	2.00	14
6	08 17 97 501 07	Holder Ø 38 x 9 mm -	2.00	14
3	08 30 11 516 90	Ring Ø 20 x 3 mm -	2.00	14
1	05 28 22 622 00-00	Holder 613 x 13 x 59 mm - Chrome	1.00	20
2	90 27 97 508 00-00	rosette	2.00	-

Spare part can no longer be ordered, please order the replacement item