

TRONIX

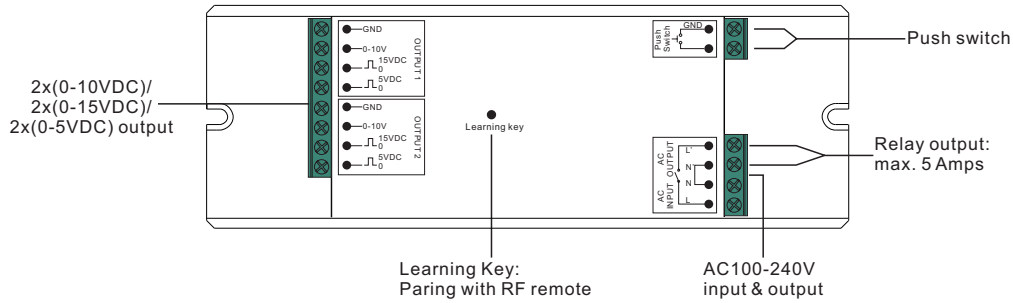
70020028

RF to 0-10V/PWM Dimmer 214-179



Important: Read All Instructions Prior to Installation

Function introduction



Product Data

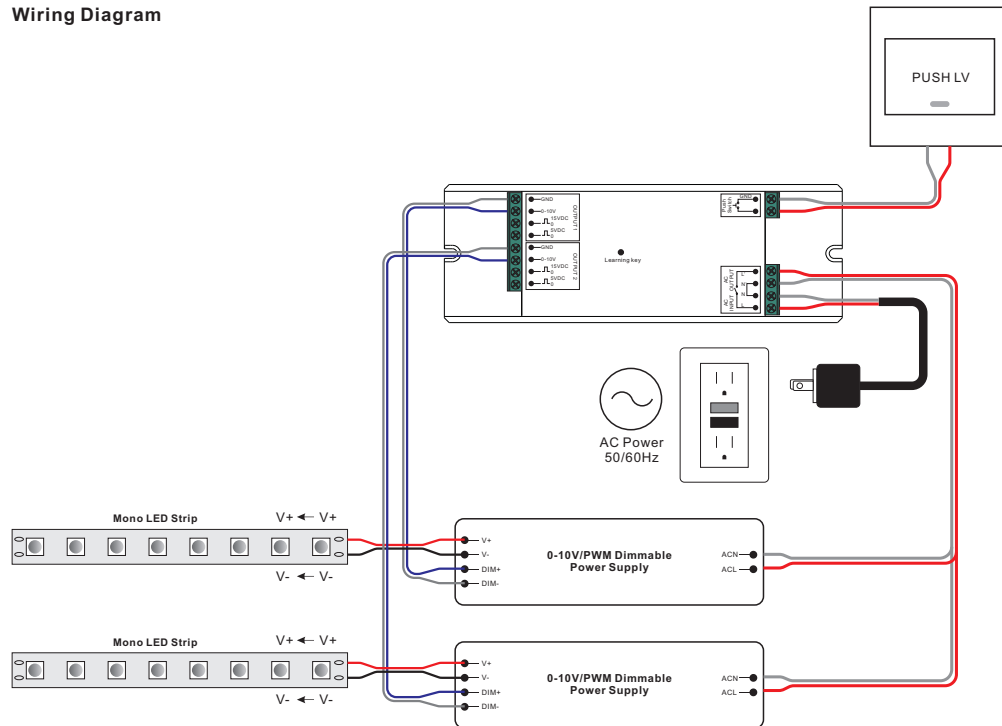
Input Voltage	Input Current	Output Power	Output Current	Size(LxWxH)
100-240VAC	60mA max	2x(0-5VDC)/2x(0-10VDC)/2x(0-15VDC)	20mA max	170x59x29mm

- Radio Frequency : 868/869.5/916.5/434mhz
- Waterproof grade: IP20

Safety & Warnings

- DO NOT install with power applied to device.
- DO NOT expose the device to moisture.

Wiring Diagram



Pair/delete the pairing with RF remote

1. Do wiring according to connection diagram.
2. Pair RF Receiver with RF remote: please refer to the instruction of the remote that you would like to pair with.
3. Delete the pairing:
 - (1) Wire up the RF receiver correctly, power on.
 - (2) Press and hold down the " **Learning Key** " button on receiver for over 3 seconds until the connected light flashes, which means well deleted.

PUSH DIM:

While connected with PUSH LV, click the button to switch ON/OFF lights. Press and hold down the button to increase/decrease light intensity.

Product Dimension

