

TRONIX

RF to DMX

Model:214-153



Feature

- User-friendly interface, easy and simple operation.
- Control up to 8 zones.
- Set 8 scenes at each zone.
- Operation return function.
- Preset 10 changing modes, with pause function.
- Synchronization function of pattern changes ensure consistent change forever.
- Control synchronously after installing software on iphone, ipad, android.
- Enable to dim brightness of each R, G, B, W channel, in order to mix millions of colors.
- Use with 214-142, 214-155 or 214-157.
- Memory function, remember the last color/scene.

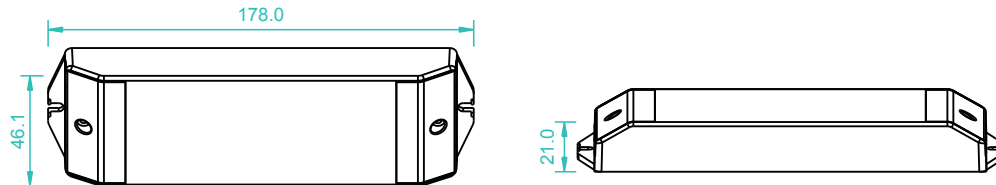
Product introduction

214-153 DMX Master is DMX signal output to connect DMX decoders. All of the DMX decoders could be remote controlled by the remote 214-142, 214-155, or 214-157. There are display board and button on the DMX decoders that we could set addresses. This DMX master suits for any DMX decoders that want to be remote controlled.

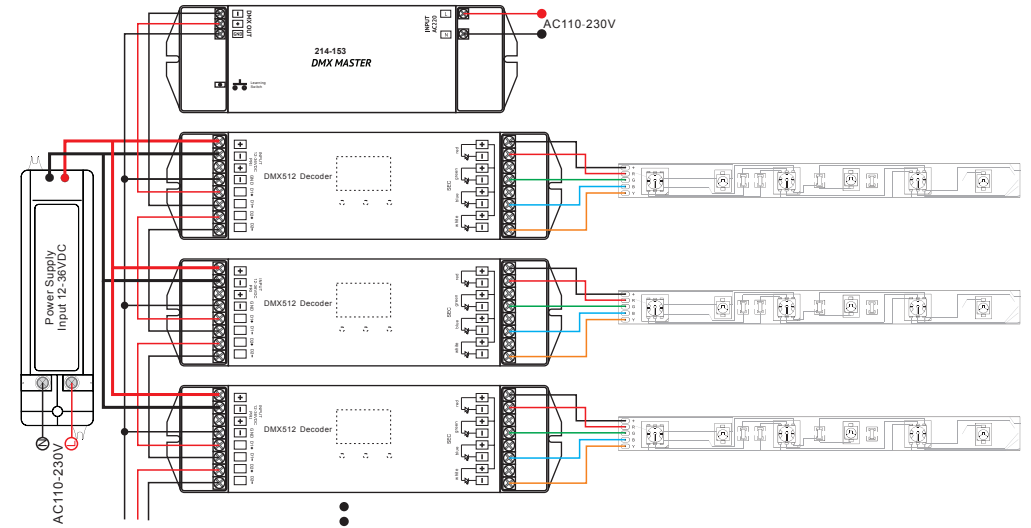
Parameter

Part No.	Operation Voltage	Output	Remarks	DIMENSIONS ø/h (mm)
214-153	110-220VAC	DMX512 Signal	Match 214-142/ 214-155/214-157	57x178x21

Product Size



Wiring diagram



214-142



214-155



214-157

Operation

After you have wired all the masters and decoders according to Figure illustration you need to do the following:

1. Learning ID by remote

1.1 Press the learning button on the master, the LED signal light will turn on.

1.2 Turn on the remote, touch the zone NO. and color wheel, once the signal light on the master flashed, signify that your master with remote.

Delete ID: Press the learning button 10s until the light off.

2. Set Zones by DMX Addresses on decoders

214-153 has 8 zones, please set the connected DMX512 decoders' addresses as below:

DMX decoders' address 001 for zone 1, DMX decoders' address 005 for zone 2

DMX decoders' address 009 for zone 3, DMX decoders' address 013 for zone 4

DMX decoders' address 017 for zone 5, DMX decoders' address 021 for zone 6

DMX decoders' address 025 for zone 7, DMX decoders' address 029 for zone 8

Each zone can pair endless of dmX decoders if you set the address accordingly.

Note: How many zones can be controlled depend on the remote you choose. Such as if you choose 214-142, it can control 2 zones. 214-157 can control 4 zones, 214-155 can control 8 zones.

Safety & Warnings

- 1) The product shall be installed and serviced by a qualified person.
- 2) IP20. Please avoid the sun and rain. When installed outdoors, please ensure it is mounted in a water proof enclosure.
- 3) Always be sure to mount this unit in an area with proper ventilation to avoid overheating.
- 4) Please check if the output voltage of any LED power supplies used comply with the working voltage of the product.
- 5) Never connect any cables while power is on and always assure correct connections to avoid short circuits before switching on.
- 6) Please ensure that the cable is secured tightly in the connector
- 7) For update information please consult your supplier.

Warranty Agreement

- 1) We provide lifelong technical assistance with this product:
 - 3-year warranty. We print date on every products, for example :1125 means year 2011, week 25. The warranty is for free repair or replacement and covers manufacturing faults only.
 - For faults beyond the 3-year warranty we reserve the right to charge for time and parts.
- 2) Limited Warrenty
 - Any defects caused by wrong operation.
 - Any damages caused by unauthorized removal, maintenance, modifying, incorrect connection and replacement of chips.
 - Any damages due to transportation, vibration etc. after purchase.
 - Any damages caused by earthquake, fire, lightning, pollution and abnormal voltage.
 - Any damages caused by negligence, inappropriate storing at high temperatures and humidity or near harmful chemicals.
 - Product has been updated
- 3) Repair or replacement as provided under this warranty is the exclusive remedy to the customer.