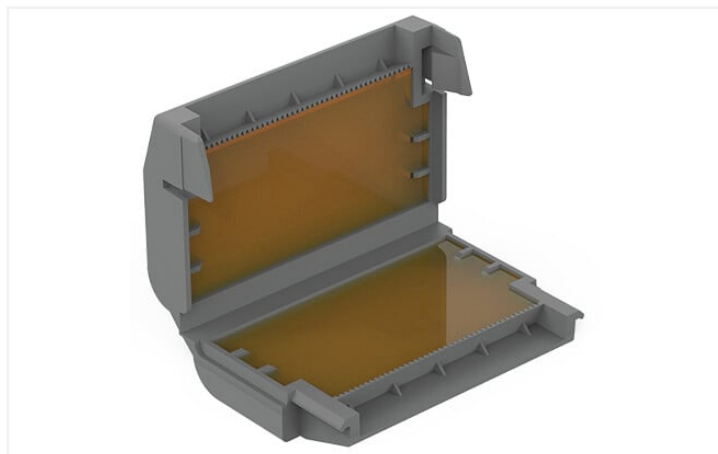


## Data Sheet | Item Number: 207-1433

Gelbox; Branch; for cables; with gel; 221 Series; max. 6 mm<sup>2</sup> connectors; without splicing connectors; Size 3; gray

<https://www.wago.com/207-1433>



Color: ■ gray

Note on Packaging Unit (PU) and Subpackaging Unit (SPU):

If you order a full PU, you will receive our eco-friendly, sustainable cardboard blisters packed in a shelf-ready box.

If you order a quantity smaller than a full PU, you will receive the eco-friendly, sustainable cardboard blisters without a shelf-ready box.

Please refer to the system description for the splicing connectors that can be used.

Your benefits:

- Easy, fast and safe to use
- Can be used immediately and accessed again later
- Silicon-free
- Label-free
- Suitable for indefinite storage
- The complete system consisting of WAGO's gelboxes and splicing connectors has been VDE-tested and IPX8-certified.

### Connection data

#### Connection 1

Actuation type	Locking system
----------------	----------------

### Physical data

Width	57 mm / 2.244 inches
Height	21.3 mm / 0.839 inches
Depth	40.1 mm / 1.579 inches

### Mechanical data

Design	Size 3
Mounting type	Flying leads
Protection type	IPX8
Suitable	für Verbindungsklemmen 6 mm <sup>2</sup>

### Material data

Note (material data)	<a href="https://www.wago.com/us/material-specifications">Information on material specifications can be found here</a>
Color	gray
Housing material	Polypropylene
Fire load	0 MJ
Weight	35.4 g

### Environmental requirements

Ambient temperature (operation)	-55 ... +85 °C
Ambient temperature (storage)	0 ... +40 °C

### Commercial data

ETIM 8.0	EC001170
ETIM 7.0	EC001170
PU (SPU)	24 (2) pcs
Country of origin	IT
GTIN	4055144097306
Customs tariff number	85389099990

### Environmental Product Compliance

RoHS Compliance Status	Compliant, No Exemption
------------------------	-------------------------

### Approvals / Certificates

#### General approvals



Approval	Standard	Certificate Name
VDE VDE Prüf- und Zertifizierungsinstitut	EN 60669	400051938

#### Declarations of conformity and manufacturer's declarations

Approval	Standard	Certificate Name
EU-Declaration of Conformity WAGO GmbH & Co. KG	-	-
UK-Declaration of Conformity WAGO GmbH & Co. KG	-	-

### Downloads

#### Environmental Product Compliance

##### Compliance Search

Environmental Product  
Compliance 207-1433



## Documentation

System Description			Bid Text		
System Description 207 Series Gel boxes	pdf 1156.45 KB	↓	207-1433	xml 3.58 KB	↓
System Description 207 Series Gel boxes	pdf 1191.37 KB	↓	207-1433	docx 20.42 KB	↓

## CAD/CAE-Data

CAD data	
2D/3D Models 207-1433	↓

## Installation Notes

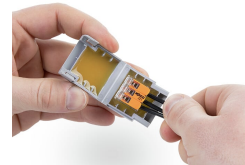
### Installation



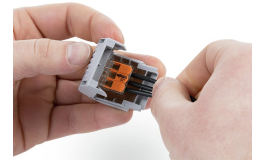
Open the Gelbox at the side latches.



Place the wired connector in the Gelbox.



Place the wired connector in the Gelbox.



Close the Gelbox.



Close latch securely.



Re-accessible:

- Open the Gelbox.
- Remove the gel.
- Rewire with new components.



Lift the flap and pull the cover perforation forward.



Press in the perforation on the sides.



Tear off the cover from the perforation.



As a counter display: Bend the rear flap at the fold, straighten it and fix it in the cardboard cut-out



If the flap is not required, tear off from the perforation.

Subject to changes. Please also observe the further product documentation!

Current addresses can be found at: [www.wago.com](http://www.wago.com)