


35 534 970 90




- red brass, lead-free
- 2x back flow preventer
- 2x female thread 3/4" connections
- 1x female thread 3/4" outlet for additional valves
- 3x female thread 3/4" outlet
- 4x dust cover
- 4x anti-water packing
- soundproofing
- gauge 120 mm
- suitable for xGRID (when using installation track + 12 mm recess depth)
- WRAS


Recommended miscellaneous

	xGRID Attachment set for integrating in the dry wall construction -	12 340 970 90
---	--	---------------


Required miscellaneous

	xGRID Installation track 555 mm -	12 360 970 90
---	--	---------------


Recommended miscellaneous

	Pre-seal for xTOOL -	90 29 05 031 00 90
--	-----------------------------	-----------------------

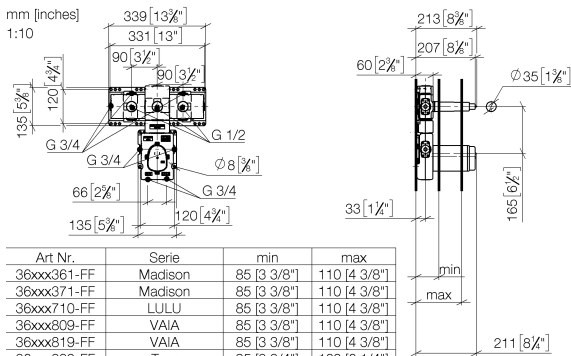
Recommended miscellaneous

	Extension 28 mm -	12 177 970 90
--	--------------------------	---------------

Recommended miscellaneous

	Extension 46 mm -	12 178 970 90
---	--------------------------	---------------

35 534 970 90



Art Nr.	Serie	min	max
36xxx361-FF	Madison	85 [3 3/8"]	110 [4 3/8"]
36xxx371-FF	Madison	85 [3 3/8"]	110 [4 3/8"]
36xxx710-FF	LULU	85 [3 3/8"]	110 [4 3/8"]
36xxx809-FF	VAIA	85 [3 3/8"]	110 [4 3/8"]
36xxx819-FF	VAIA	85 [3 3/8"]	110 [4 3/8"]
36xxx882-FF	Tara	95 [3 3/4"]	160 [6 1/4"]
36xxx892-FF	Tara	95 [3 3/4"]	160 [6 1/4"]
36xxx811-FF	CYO	95 [3 3/4"]	160 [6 1/4"]
36xxx812-FF	CYO	95 [3 3/4"]	160 [6 1/4"]
36xxx740-FF	Meta/CL.1/ CYO	95 [3 3/4"]	160 [6 1/4"]
36xxx980-FF	Symetrics	95 [3 3/4"]	160 [6 1/4"]
36xxx985-FF	Symetrics	95 [3 3/4"]	160 [6 1/4"]
36xxx705-FF	CL.1	115 [4 1/2"]	155 [6 1/8"]
36xxx715-FF	CL.1	115 [4 1/2"]	155 [6 1/8"]
36xxx782-FF	MEM	115 [4 1/2"]	155 [6 1/8"]

Codes & Standards

EN 1111

EN 1717

Scottish Water
Byelaws

UK Water Supply
Regulations

XP P 41-280

Certificates and sustainability

WRAS_2011

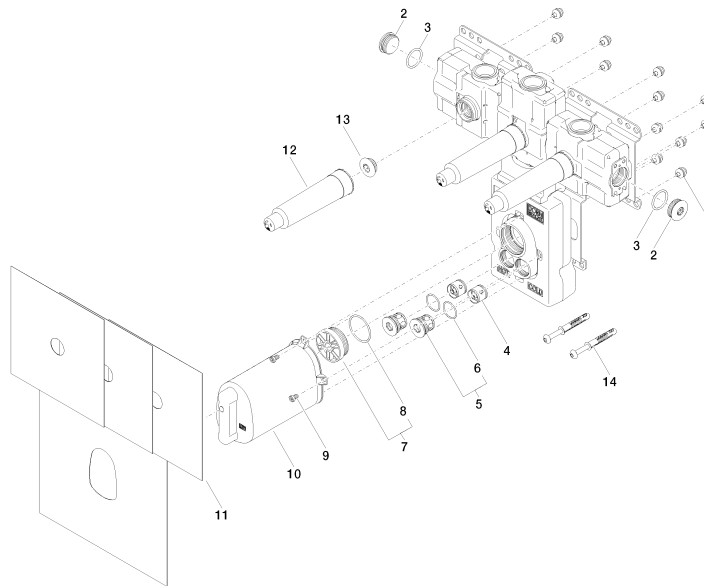
Belgaqua_21-031-2 ACS_21 ACC LY

DVGW_DW-
6512DN0

EPD-DOR-20230287
-IBA1-EN
Environmental.prod
uct-declarat

Belgaqua_25-343-2

35 534 970 90



Spare parts list

No.	Item Number	Name	Quantity used	Delivery time
6	09 14 10 098 90	O-Ring 22,0 x 1,6 mm -	1.00	14
13	04 31 20 006 00 90	Plug 1/2" -	3.00	14
2	09 31 20 003 90	Plug 3/4" -	5.00	14
14	04 30 31 054 00 90	Attachment set Wood screw with dowel 6 x 70 mm -	2.00	14
10	04 21 02 174 01 90	Cap -	1.00	14
8	09 14 10 111 90	O-Ring 36,0 x 2,0 mm -	1.00	14
11	04 14 03 073 07 90	sealing kit for xTool, 3 outlets -	1.00	14
3	09 14 10 009 90	O-Ring NBR 70 24,0 x 2,5 mm -	5.00	14
4	90 23 01 045 00 90	Back-flow preventer Ø 20 x 18 mm, without limitation -	2.00	14
1	90 23 01 091 00 90	Attachment set Bolt/nut with damping Ø 127 x Ø 6 x 8 mm -	12.00	14
7	04 31 20 100 00 90	Plug M42 x 1,5 -	1.00	14
5	04 21 34 077 00 90	Plug for xTOOL Ø 27 x 23 mm -	2.00	14
9	09 30 30 169 90	Bolt -	4.00	14
12	90 21 02 190 00 90	Waterproofing cover for wall valve Ø 37 x 149 mm -	3.00	14