

Operation Instructions of Dimmer Tronix 214-118

I. Specifications:

Working temperature: -20-60°

Product size: L89 W59 H35 mm

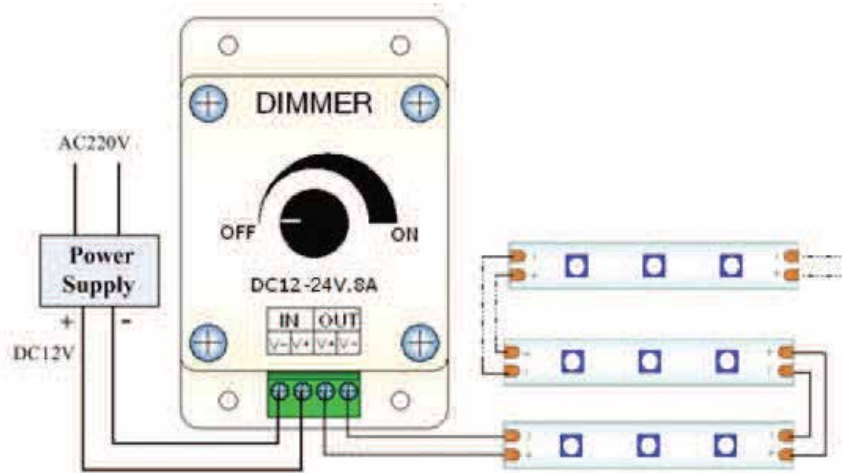
Max load current: 8A each color

Function: can achieve stepless dimming

Supply voltage: DC12V / DC24V

Net weight:140g

II. Photo of Object:



III. Warning:

1. Supply voltage of this product is DC12V or DC24V; never connect to AC220V.
2. Never connect two wires directly in case of short circuit.
3. Lead wire should be connected correctly according to colors that connecting diagram offers.
4. Warranty of this product is one year, but exclude the artificial situation of damaged or overload working.