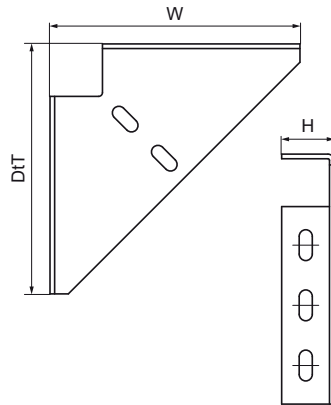
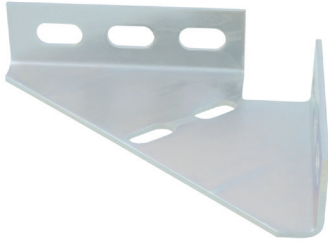


## Walraven RapidStrut Corner Bracket (BUP1000)

(H1635)

to connect rails in frames and constructions



### Features & benefits

- one-part support
- for fixing support under, top or on side of a cantilever arm
- also used to strengthen rail constructions
- material: steel 1.0332
- product is part of the Walraven Walraven UltraProtect® 1000 system
- suitable for in- and outdoor applications
- stands min. 1,000 hours salt spray test (max. 5% red rust) according to ISO 9227



| Product Number   | Total Height | Total Width | Total Depth |
|------------------|--------------|-------------|-------------|
| Reference letter | H            | W           | DtT         |
| Unit description | mm           | mm          | mm          |
| 66038020         | 46           | 200         | 200         |