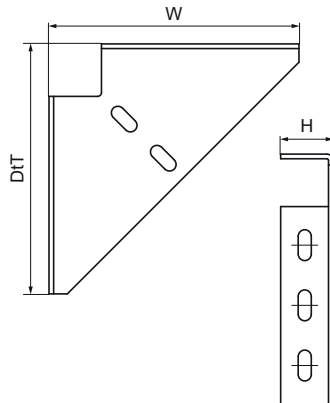
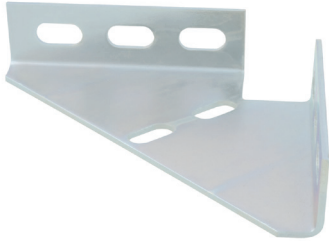


Walraven RapidStrut Corner Bracket (BUP1000)

(H1635)

to connect rails in frames and constructions



Features & benefits

- one-part support
- for fixing support under, top or on side of a cantilever arm
- also used to strengthen rail constructions
- material: steel 1.0332
- product is part of the Walraven Walraven UltraProtect® 1000 system
- suitable for in- and outdoor applications
- stands min. 1,000 hours salt spray test (max. 5% red rust) according to ISO 9227



Product Number	VVS Number	Total Height	Total Width	Total Depth
Reference letter		H	W	DtT
Unit description		mm	mm	mm
66038020	018041024	46	200	200