

# Product data sheet Spirotech

## Product name

**SpiroTrap -DN80 -HiFlow -Flange**

## Product properties

A steel dirt separator for high flow rate (3 m/s) with a DN50 - DN300 PN16 flange connection

- Applicable for high flow rate systems (3 m/s)
- Applicable with 50/50 Ethylene Glycol / Water (Volume)
- Very small particles, from 5  $\mu\text{m}$  (= 0.005 mm) are separated and removed
- Dirt can be drained while the system is in operation
- No shut-off valves or bypass required
- Constant low pressure drop
- Maintenance only takes a few seconds
- No unnecessary downtime
- PN16 flange connections
- Connection diameters from DN50 - DN300, larger connection diameters on request

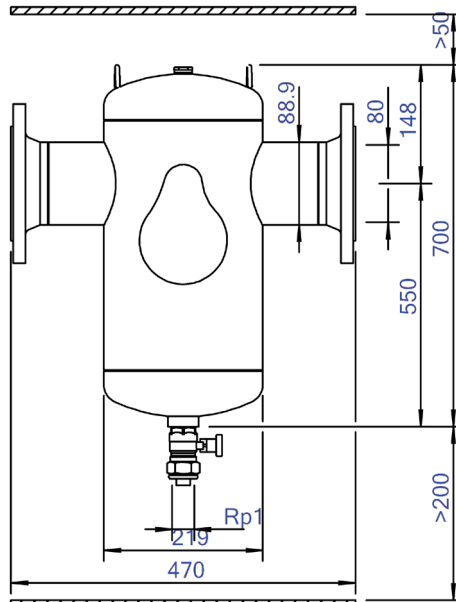
## Article number

**HE080F**

## Product image



## Product dimensions



# Product data sheet Spirotech

## ETIM product data

|                                 |                |                                       |                          |
|---------------------------------|----------------|---------------------------------------|--------------------------|
| Housing material                | Steel          | Suitable for open system              | No                       |
| With drain tap                  | Yes            | Suitable for closed system            | Yes                      |
| Housing material quality        | St 37 (1.0254) | Suitable for solar                    | No                       |
| Backwash filter                 | No             | Whirl operating principle             | No                       |
| Medium temperature (continuous) | 0 - 110 °C     | Negative pressure operating principle | No                       |
| Max. operating pressure         | 10 bar         | With dismountable filter              | No                       |
| Kvs value                       | 153.4          | Filter volume                         | 25 l                     |
| Variable flow direction         | Yes            | Magnet operating principle            | No                       |
| With insulation                 | No             | Thrust operating principle            | No                       |
| Separator type                  | Dirt           | With automatic de-aerator             | No                       |
| Connection                      | Flange         | Partial flow principle                | No                       |
| Model                           | Horizontal     | Principle full flow with settling     | Yes                      |
| Nominal diameter                | DN 80          | Cleaning possible during operation    | Yes                      |
| Max. glycol mixture             | 50 %           | With couplers                         | Yes                      |
| Suitable for heating            | Yes            | Inlet/outlet offset distance          | 0 mm                     |
| Suitable for cooling            | Yes            | Material of connection                | Steel                    |
| Construction length             | 470 mm         | Flow-through capacity                 | 0 - 54 m <sup>3</sup> /h |
| Article compression class       | PN 10          | Flange standard                       | DIN                      |
| Surface protection              | Lacquered      |                                       |                          |

### Disclaimer

This product sheet has been compiled with the greatest possible care. Nevertheless, it may contain errors or omissions. For the most current and correct information we refer you to our website.

