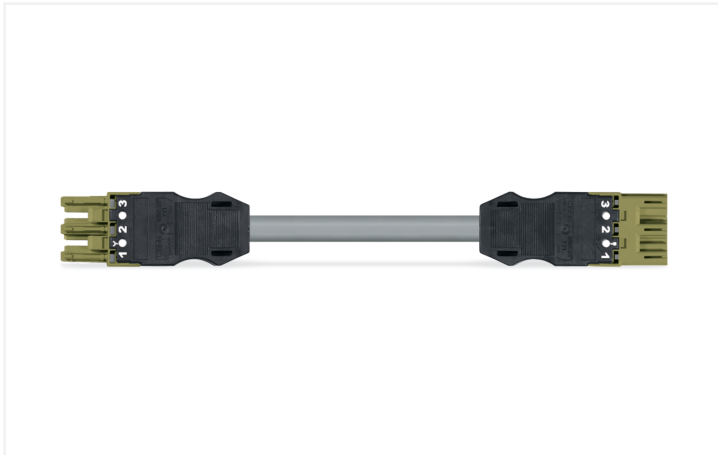


## Data Sheet | Item Number: 771-9993/005-205

pre-assembled interconnecting cable; Eca; Socket/plug; 3-pole; Cod. B; H05VV-F 3 x 1.0 mm<sup>2</sup>; 2 m; 1,00 mm<sup>2</sup>; light green

<https://www.wago.com/771-9993/005-205>



Color: ■ light green



Dimensions in mm

### Cable assembly WINSTA® MIDI with strain relief

The WINSTA® MIDI cable assembly with protection against mismatching allows assembly of fine-stranded and solid conductors. Our pluggable installation connectors with spring pressure connection technology function entirely without screw connections. They allow fast, efficient, error-free installation in a large number of applications. For greater protection in electrical installations, the pluggable installation connector is equipped with mechanical protection against mismatching. The pluggable installation connector is protected against ingress by solid objects in accordance with protection type IP20 (When mated: IP2xC (These compact connectors are not designed for use in open, easily accessible areas!)). B coding enables the WINSTA® MIDI pluggable installation connectors to be used for application control in automation, robotics, and mechanical engineering. The WINSTA® MIDI Pluggable Connection System with Push-in CAGE CLAMP® spring pressure connection technology facilitates exemplary electrification. Due to the included test slot, it is possible to check connections even when they are plugged in. That saves time and reduces installation labor and costs. According to the European CPR, the fire class of the cables used for construction is decisive for building safety as well. For houses with medium-level safety requirements, cable assemblies with fire class E are suitable.

### Fast, error-free assembly thanks to cable assemblies from WAGO

The cable assembly is provided with a socket and a plug. WINSTA® is the pluggable connection system that is perfectly tailored to the strict requirements of electrical installation. It ensures fast, secure and, above all, error-free installation of components and cables. Choose quality and durability – with protection type IP20 from WAGO makes the installation of electrical components substantially easier.

- pluggable installation connectors with protection against mismatching
- for automation controllers
- with B coding for use in process automation, such as lighting technology
- custom-engineered solutions
- convenient installation and commissioning

### Notes

#### Note

Variants:

Cables with a different fire class can be found in the eShop.

Other pole markings

Other versions (or variants) can be requested from WAGO Sales or configured at <https://configurator.wago.com/>.

## Electrical data

| Ratings per                     | IEC/EN 60664-1 |     |    |
|---------------------------------|----------------|-----|----|
| Overvoltage category            | III            | III | II |
| Pollution degree                | 3              | 2   | 2  |
| Nominal voltage                 | 250 V          | -   | -  |
| Rated impulse withstand voltage | 4 kV           | -   | -  |
| Rated current                   | 10 A           | -   | -  |

## General information

|                            |  |
|----------------------------|--|
| Note on contact resistance | approx. 1 mΩ of contact resistance<br>approx. 0.25 mΩ contact transition plug/<br>socket |
|----------------------------|--|

## Connection Data

|                            |   |
|----------------------------|---|
| Total number of potentials | 3 |
|----------------------------|---|

## Connection 1

|                    |                   |
|--------------------|-------------------|
| Pole number        | 3                 |
| Wire cross-section | 1 mm <sup>2</sup> |
| Connection type    | Socket - Plug     |

## Physical data

|              |                      |
|--------------|----------------------|
| Pin spacing  | 10 mm / 0.394 inches |
| Width        | 27 mm / 1.063 inches |
| Total length | 2 m                  |

## Mechanical data

|   |   |
|---|---|
| Use                                     | Control technology  |
| Coding                                  | B   |
| Variable coding                         | Yes   |
| Marking                                 | 1 2 3   |
| Potential marking                       | 1 2 3   |
| Mating force of a plug-in connection    | approx. 20 ... 70 N (depending on pole number)  |
| Retention force of a plug-in connection | when locked: > 80N  |
| Unmating force of a plug-in connection  | when unlocked: approx. 20 ... 70 N (depending on pole number)   |
| Number of mating cycles                 | 200, without resistive load   |
| Connection type                         | Socket - Plug   |
| Type of pre-assembled cable             | Interconnecting cable   |
| Cable type                              | H05VV-F 3x1   |
| Protection type                         | IP20; When mated: IP2xC (These compact connectors are not designed for use in open, easily accessible areas!) |

## Plug-in connection

|                               |  |
|-------------------------------|--|
| Mismating protection          | Yes  |
| Note on mismating protection  | All <i>WINSTA</i> ® components are 100% protected against mismating when:<br>a.) plugging different numbers of poles<br>b.) plugging while rotated 180<br>c.) plugging while laterally staggered<br>d.) plugging one pole  |
| Locking lever                 | Can be retrofitted   |
| Locking of plug-in connection | Locking lever  |
| Note on locking system        | All connectors for mounted installations (snap-in versions for lighting fixtures or devices, all types of PCB and distribution connectors) are factory-equipped with locking levers to ensure plugs and sockets are securely locked. Additional locking levers are only required for flying leads (plug/socket). |

### Material data

|                                    |  |
|------------------------------------|--|
| Note (material data)               | <a href="#">Information on material specifications can be found here</a> |
| Color                              | light green  |
| Insulation material (main housing) | Polyamide (PA66)   |
| Fire class per EN 50575            | E <sub>ca</sub>  |
| Contact material                   | Copper or copper alloy; surface-treated                                  |
| Contact Plating                    | Tin  |
| Fire load                          | 0.622 MJ   |
| Connector color                    | light green  |
| Strain relief color                | black  |
| Printing color of strain relief    | white  |
| Sheathed cable color               | gray   |
| Printing color of sheathed cable   | black  |
| Halogen-free                       | No   |
| Silicon-free                       | Yes  |
| Sheath material                    | PVC  |
| Rubber cable                       | No   |
| Weight                             | 166.7 g  |
| Copper weight of the raw cable     | 0.029 kg/m   |

### Environmental requirements

|  |   |
|--|---|
| Processing temperature                   | -5 ... +40 °C   |
| Continuous operating temperature         | -35 ... +85 °C  |
| Note on continuous operating temperature | Cable for temperatures ≤ 70 °C (including halogen-free)<br>Insulating parts for temperatures ≤ 105 °C |

### Commercial data

|                       |               |
|-----------------------|---------------|
| PU (SPU)              | 1 pcs         |
| Packaging type        | unpacked      |
| Country of origin     | DE            |
| GTIN                  | 4055143506106 |
| Customs tariff number | 85444290900   |

### Product Classification

|             |                      |
|-------------|----------------------|
| UNSPSC      | 26121629             |
| eCl@ss 10.0 | 27-44-06-04          |
| eCl@ss 9.0  | 27-44-06-04          |
| ETIM 9.0    | EC002587             |
| ETIM 10.0   | EC002587             |
| ECCN        | NO US CLASSIFICATION |

### Environmental Product Compliance

|                        |                         |
|------------------------|-------------------------|
| RoHS Compliance Status | Compliant, No Exemption |
|------------------------|-------------------------|

**Downloads**

**Environmental Product Compliance**

|                                  |  |  |   |
|----------------------------------|--|--|---|
| Compliance Search                |  |  |   |
| Environmental Product Compliance |  |  | ↓ |
| 771-9993/005-205                 |  |  |   |

**Documentation**

|                  |            |                 |   |
|------------------|------------|-----------------|---|
| Bid Text         |            |                 |   |
| 771-9993/005-205 | 19.02.2019 | xml<br>2.92 KB  | ↓ |
| 771-9993/005-205 | 02.06.2015 | doc<br>24.50 KB | ↓ |

**CAD/CAE-Data**

|                   |   |
|-------------------|---|
| CAE data          |   |
| EPLAN Data Portal | ↓ |
| 771-9993/005-205  |   |

**1 Compatible Products**

**1.1 Required Accessories**

**1.1.1 Locking system**

**1.1.1.1 Locking system**

|  |  |  |  |
|--|--|--|--|
|  |  |  |  |
| <b>Item No.: 770-101</b><br>Locking lever; for flying leads; for manual operation; black | <b>Item No.: 770-121</b><br>Locking lever; for flying leads; for manual operation; white | <b>Item No.: 770-111</b><br>Locking lever; for flying leads; for tool operation; black | <b>Item No.: 770-131</b><br>Locking lever; for flying leads; for tool operation; white |

**1.2 Optional Accessories**

**1.2.1 Cover**

**1.2.1.1 Cover**

|  |  |   |   |
|--|--|---|---|
|  |  |   |   |
| <b>Item No.: 770-201</b><br>Lockout cap; 12-pole, separable; for sockets; Plastic; black | <b>Item No.: 770-221</b><br>Lockout cap; 12-pole, separable; for sockets; Plastic; white | <b>Item No.: 770-360</b><br>Lockout cap; for plugs; 5-pole; separable; yellow | <b>Item No.: 897-2003</b><br>Protective cap; Type2; for sockets and plugs; PVC; red |

## 1.2.2 Installation

### 1.2.2.1 Mounting accessories



**Item No.: 770-310**

Mounting carrier; 2- to 5-pole; for flying leads; black

## 1.2.3 Marking

### 1.2.3.1 Marker



**Item No.: 770-450/000-006**

Marker card; Plastic; blue



**Item No.: 770-450/000-001**

Marker card; Plastic; green



**Item No.: 770-450/000-012**

Marker card; Plastic; orange



**Item No.: 770-450/000-005**

Marker card; Plastic; red



**Item No.: 770-450**

Marker card; Plastic; white



**Item No.: 770-450/000-002**

Marker card; Plastic; yellow

### 1.2.3.2 Marking strip



**Item No.: 210-334**

Marking strips; as a DIN A4 sheet; Strip width 5 mm; Strip length 182 mm; plain; Self-adhesive; white