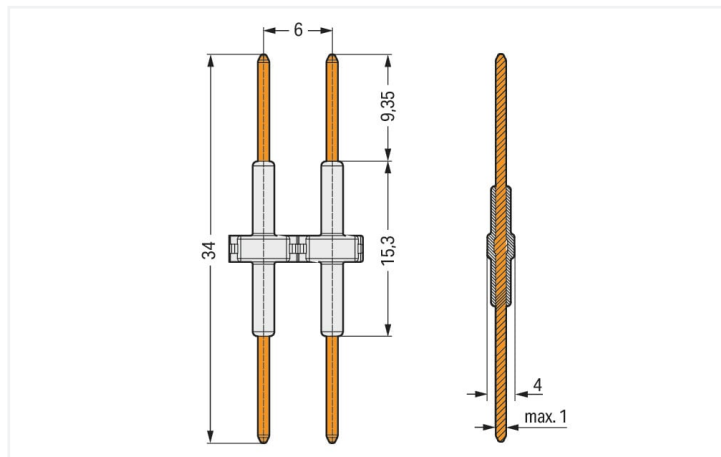
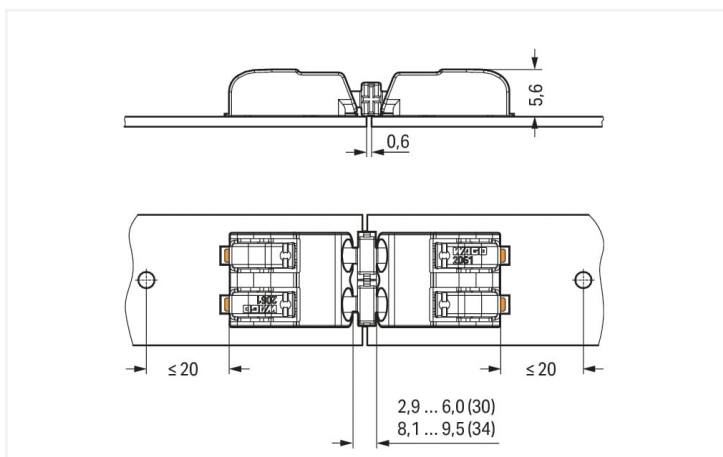


Color: ■ white



Dimensions in mm



Dimensions in mm

- Board-to-board links simplify in-line assembly of LED modules
- Easy push-in connection and disconnection without push-button actuation

Electrical data

| Ratings per | IEC/EN 60664-1 | | |
|----------------------|----------------|-------|-------|
| | III | III | II |
| Overvoltage category | III | III | II |
| Pollution degree | 3 | 2 | 2 |
| Nominal voltage | 250 V | 320 V | 630 V |
| Rated surge voltage | 4 kV | 4 kV | 4 kV |
| Rated current | 9 A | 9 A | 9 A |

Connection data

| | |
|----------------------------|---|
| Total number of potentials | 3 |
|----------------------------|---|

| Connection 1 | |
|--------------|---|
| Pole number | 3 |

Physical data

| | |
|-------------|------------------------|
| Pin spacing | 6 mm / 0.236 inches |
| Width | 17.7 mm / 0.697 inches |
| Height | 2.5 mm / 0.098 inches |
| Depth | 43 mm / 1.339 inches |

Mechanical data

| | |
|-------------------------|---|
| Mating cycles (max.) | 10 |
| Number of mating cycles | 10 connections/disconnections (max.) |
| Suitable | for SMD PCB terminal blocks (2061 Series) |

Material data

| | |
|-----------------------------|--|
| Note (material data) | Information on material specifications can be found here |
| Color | white |
| Material group | I |
| Insulation material | Polyamide (PA66) |
| Flammability class per UL94 | V0 |
| Contact material | Copper alloy |
| Contact plating | Silver |
| Fire load | 0 MJ |
| Weight | 0.9 g |

Environmental requirements

| | |
|-------------------------|-----------------|
| Limit temperature range | -60 ... +105 °C |
|-------------------------|-----------------|

Commercial data

| | |
|-----------------------|---------------|
| eCl@ss 10.0 | 27-14-11-92 |
| eCl@ss 9.0 | 27-14-11-92 |
| ETIM 8.0 | EC002848 |
| ETIM 7.0 | EC002848 |
| PU (SPU) | 200 pcs |
| Packaging type | Box |
| Country of origin | CN |
| GTIN | 4055143656771 |
| Customs tariff number | 85369010000 |

Environmental Product Compliance

| | |
|------------------------|-------------------------|
| RoHS Compliance Status | Compliant, No Exemption |
|------------------------|-------------------------|

Approvals / Certificates

General approvals



| Approval | Standard | Certificate Name |
|--|----------|------------------|
| CCA DEKRA Certification B.V. | EN 60838 | NTR NL-7721 |
| cURus Underwriters Laboratories Inc. | UL 1059 | E45172 |
| KEMA/KEUR DEKRA Certification B.V. | EN 60838 | 71-106232 |

Downloads

Environmental Product Compliance

| Compliance Search | |
|--|-------------------|
| Environmental Product Compliance 2061-903/034-000 | ↓ |

Documentation

| Additional Information | | | |
|------------------------|------------|-------------------|-------------------|
| Technical Section | 03.04.2019 | pdf 2010.85 KB | ↓ |

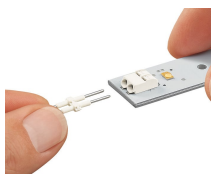
CAD/CAE-Data

| CAD data | |
|----------------------------------|-------------------|
| 2D/3D Models 2061-903/034-000 | ↓ |

| CAE data | |
|----------------------------------|-------------------|
| ZUKEN Portal 2061-903/034-000 | ↓ |

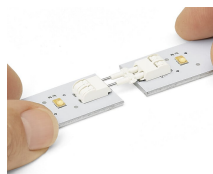
Installation Notes

Installation



Inserting a board-to-board link into the terminal block.

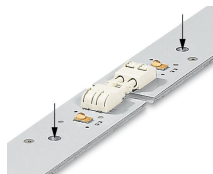
Installation



Assembly: Place PCBs on a flat surface and connect terminal blocks on adjoining PCBs via board-to-board link.

Disassembly: Pull PCBs apart (max. 10 mating cycles).

Installation



The PCBs must be secured.