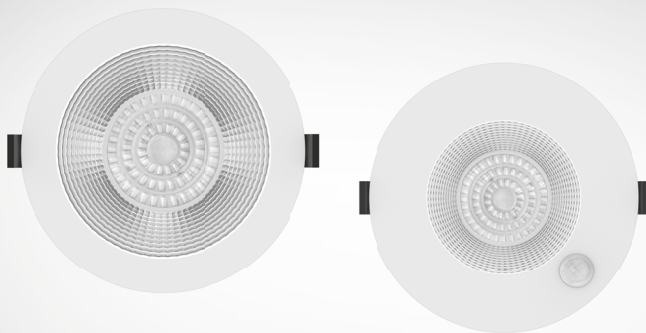


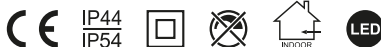
PROLUMIA®

PRO-FUSION RECESSED DOWNLIGHT



INSTRUCTION MANUAL

40002910	Pro-Fusion 120 max. 14 W
40002920	Pro-Fusion 140 max. 14 W
40002930	Pro-Fusion 160 max. 14 W
40002931	Pro-Fusion 160 max. 24 W
40002940	Pro-Fusion 200 max. 14 W
40002941	Pro-Fusion 200 max. 24 W
40002950	Pro-Fusion S160 PIR 12 W



ATTENTION

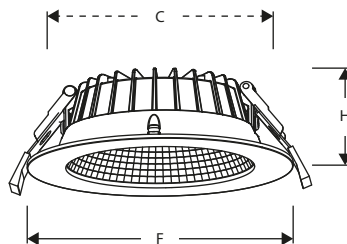
IMPORTANT - READ THE INSTRUCTION MANUAL CAREFULLY BEFORE INSTALLING THIS FIXTURE.
RETAIN THIS INSTRUCTION MANUAL FOR FUTURE REFERENCE.

CAUTION

1. This product must be installed by a qualified electrician.
2. Before starting installation, SHUT the line feed AC-power OFF using the circuit breaker.
3. Cross-sectional area of installation wires must be at least 0.75 mm². Installation must be done according to IEC-standards and/or applicable local electrical regulations.
4. This product contains a light source of energy efficiency class A.

GENERAL PRODUCT INFORMATION

LED-module	SMD2835-based , non-replaceable
Beam angle	60°
Adjustable CCT	3000-3500-4000 K, slide switch selectable
Adjustable lm-output	DIP switch selectable per table below
Ingress Protection	IP44 above ceiling, IP54 below ceiling
Luminous efficacy	135 lm/W up to 170 lm/W
Lumen packages	1.000-3.500 lm, 4 levels per fixture*
Anti-glare rating	UGR<19 compliant versions available
Median useful life	L90 50.000 hours
AC Input	220-240V AC 50/60Hz
Operating temperature	-20°C – +40°C
Electrical safety class	Class II
Power supply	Non-dimmable LED-Driver
Fixture material	Light weight aluminium / low profile design



C = Cutout size
H = Height
F = Front

*) Not applicable to Pro-Fusion S160.

TECHNICAL PRODUCT DATA

Item no.	Description	Height (mm)	Front (mm)	Cutout size (mm)	CCT options (K)	Current (mA)	Power (W)	Output (lm)	Dip switch setting	
									1	2
40002910	Pro-Fusion 120 max. 14 W	55	Ø 145	Ø 120-130	3000	200	7.5	1062	OFF	OFF
						250	9.7	1349	ON	OFF
						300	11.2	1530	OFF	ON
						4000	13.6	1804	ON	ON
40002920	Pro-Fusion 140 max. 14 W	58	Ø 170	Ø 140-150	3000	200	7.4	1108	OFF	OFF
						250	9.6	1412	ON	OFF
						300	11.1	1604	OFF	ON
						4000	13.5	1897	ON	ON
40002930	Pro-Fusion 160 max. 14 W	61	Ø 190	Ø 160-170	3000	200	7.3	1154	OFF	OFF
						250	9.6	1474	ON	OFF
						300	11.0	1678	OFF	ON
						4000	13.4	1990	ON	ON
40002931	Pro-Fusion 160 max. 24 W	61	Ø 190	Ø 160-170	3000	450	17.3	2601	OFF	OFF
						500	19.4	2856	ON	OFF
						550	21.8	3079	OFF	ON
						600	24.0	3317	ON	ON
40002940	Pro-Fusion 200 max. 14 W	61	Ø 228	Ø 200-210	3000	200	7.3	1169	OFF	OFF
						250	9.4	1499	ON	OFF
						300	10.9	1709	OFF	ON
						4000	13.2	2028	ON	ON
40002941	Pro-Fusion 200 max. 24 W	61	Ø 228	Ø 200-210	3000	450	17.3	2660	OFF	OFF
						500	19.4	2925	ON	OFF
						550	21.4	3173	OFF	ON
						600	23.5	3429	ON	ON
40002950	Pro-Fusion S160 PIR 12 W	55	Ø 180	Ø 160-170	3000	320	12	1800	n/a	n/a
					3500					
					4000					

ACCESSORIES

Item no.	Description
40002901	Surface Mount Enclosure for Pro-Fusion 120 Downlight - Ø 145 x H 93 mm
40002902	Surface Mount Enclosure for Pro-Fusion 160 Downlight - Ø 190 x H 93 mm
40002903	Surface Mount Enclosure for Pro-Fusion 200 Downlight - Ø 228 x H 100 mm
40002905	Emergency Conversion Kit - 3h - Autotest - LiFePO4-Battery - 6.4 V - 3200 mAh
40002906	Adapter-Ring for Pro-Fusion 200 Downlight - for Ø 210-260 mm ceiling cutouts

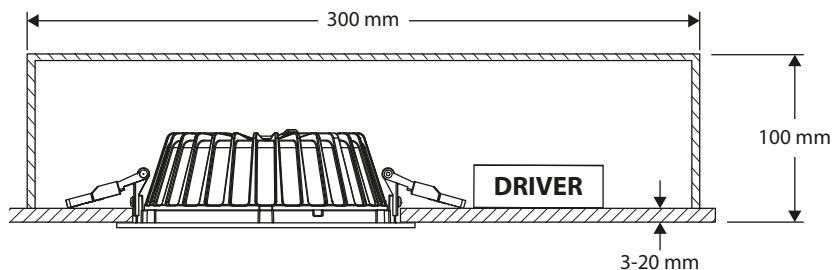
INTENDED USE & APPLICATIONS

- Ceiling-recessed or surface mounted general lighting
- Energy-saving replacement of compact fluorescent downlights
- Cost-effective quality lighting for new construction projects.
- UGR<19 compliant for work spaces in offices and other demanding environments.
- Versatile lighting solution for healthcare and educational facilities, public buildings, retail and hospitality projects

CIRCUIT BREAKER MAXIMUM LOAD

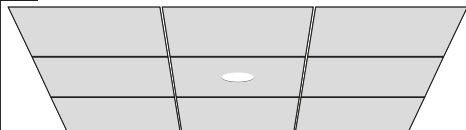
Item no.	Description	No. of units per circuit breaker type			
		B16	B20	C16	C20
40002910	Pro-Fusion 120 max. 14 W	27	34	45	56
40002920	Pro-Fusion 140 max. 14 W	27	34	45	56
40002930	Pro-Fusion 160 max. 14 W	27	34	45	56
40002931	Pro-Fusion 160 max. 24 W	21	26	35	43
40002940	Pro-Fusion 200 max. 14 W	27	34	45	56
40002941	Pro-Fusion 200 max. 24 W	21	26	35	43
40002950	Pro-Fusion S160 PIR 12 W	27	34	45	56

RECESSED INSTALLATION - MINIMUM SPACINGS



RECESSED INSTALLATION

1



Select desired CCT:
3000-3500-4000 K



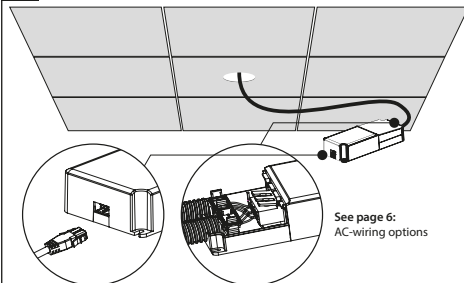
Select desired
lumen output*



Ceiling cutout*

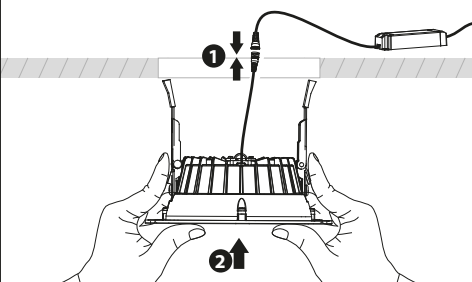
*) See technical product data for more information.

2.1 Regular version

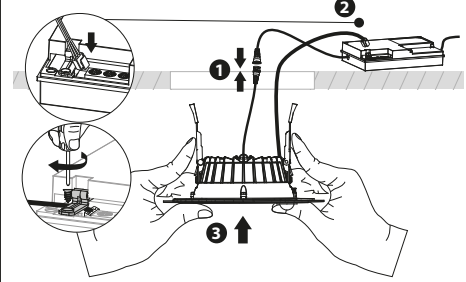


See page 6:
AC-wiring options

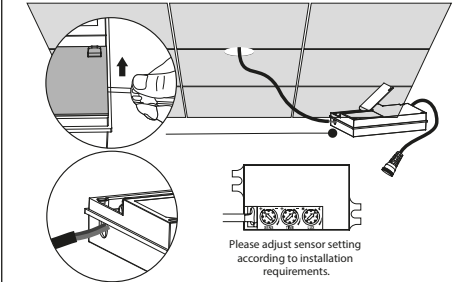
2.2 Regular version



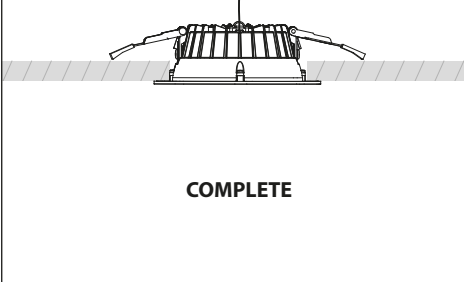
3.2 PIR sensor version



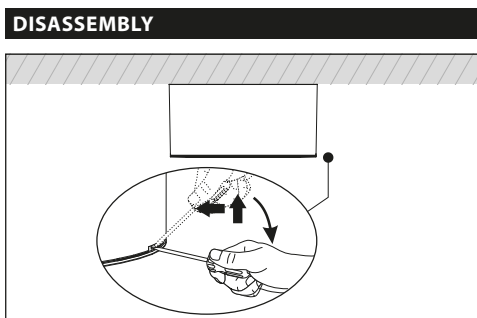
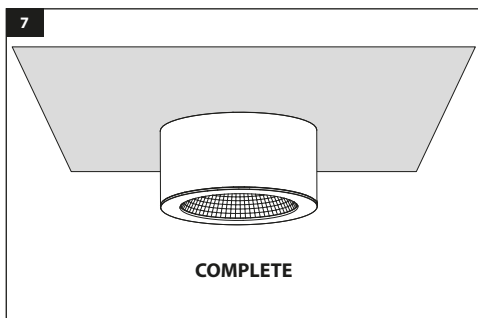
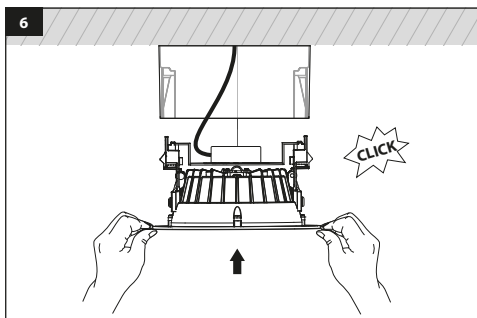
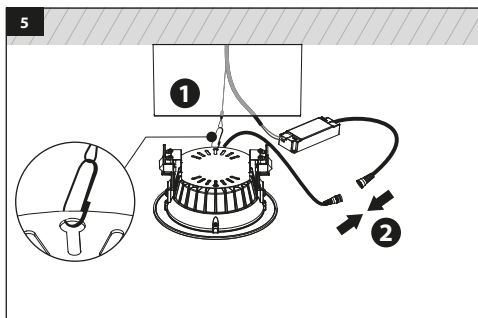
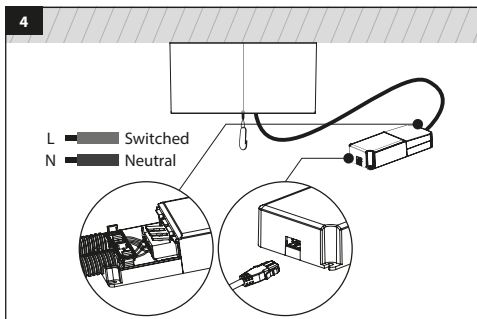
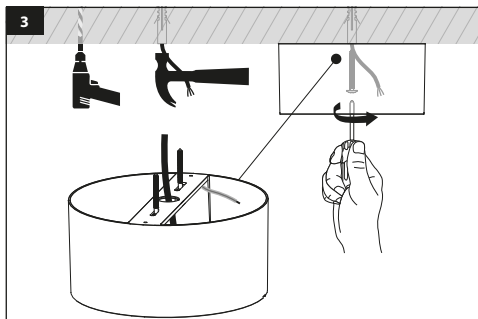
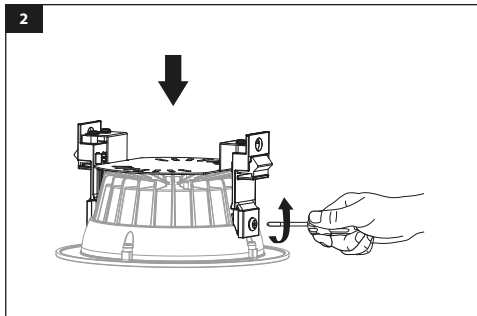
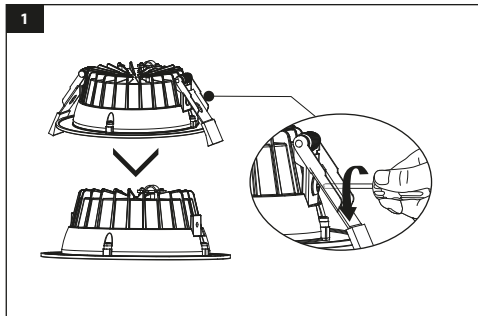
3.1 PIR sensor version



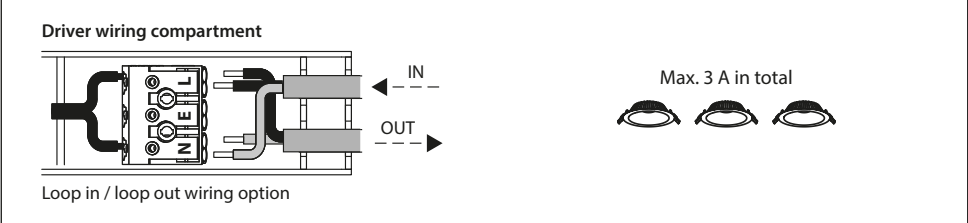
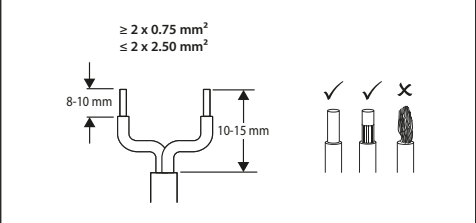
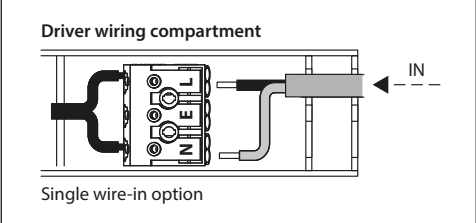
4



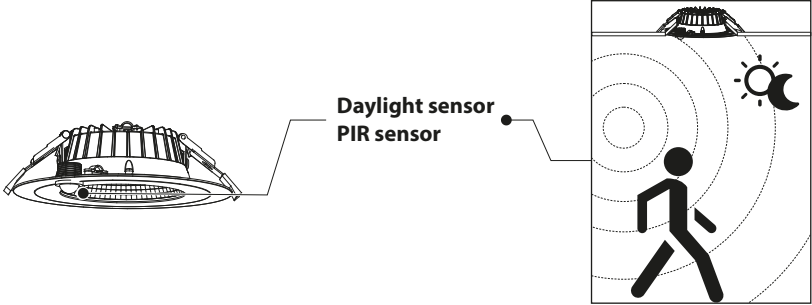
SURFACE MOUNTED INSTALLATION



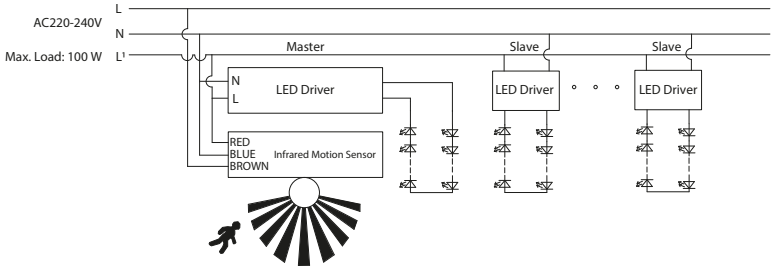
AC-WIRING OPTIONS



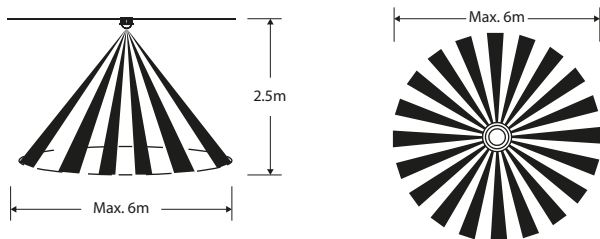
SENSOR - SPECIFICATIONS



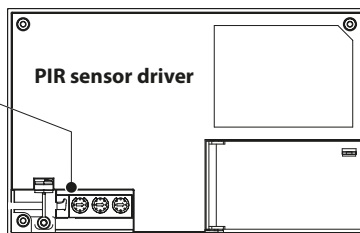
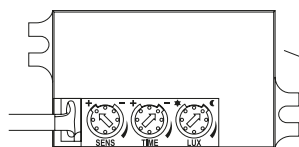
SENSOR - WIRING DIAGRAM



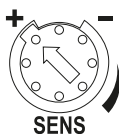
SENSOR - DETECTION RANGE DIAGRAM



SENSOR - SETTINGS



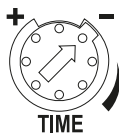
Factory settings		
Detection area	Hold time	Daylight sensor
100%	10 sec.	10 lux



Detection area / Sensitivity

The detection area / sensitivity of the sensor can be adjusted by the knob "SENS". Turning clockwise increases the sensitivity to a maximum of \varnothing 6 m detection surface at 2.5 m installation height. Turning the knob anti-clockwise decreases the sensitivity to a minimum of \varnothing 2 m detection surface at 2.5 m installation height.

NOTE: the sensitivity setting may be affected by the ambient temperature in the installation environment.



Hold time

The hold time can be adjusted by the knob "TIME". Turning clockwise increases the hold time to a maximum of 7 minutes. Anti-clockwise decreases the hold time to a minimum of 10 sec.



Daylight sensor

The daylight threshold can be adjusted by the knob "LUX". Turning the knob clockwise increases the daylight threshold to a maximum of 2000 lux. Anti-clockwise decreases the daylight threshold to a minimum of 10 lux.

NOTE: The daylight threshold may be affected by the amount of (artificial) ambient light and behaviour may vary between different luminaires.

ENVIRONMENTAL PROTECTION

Waste electrical products should not be disposed of with household waste. Please recycle where facilities exist. Check with your local authority or retailer for recycling advice.



PROLUMIA®

IMPORTER

NEDELKO B.V.

Riga 10

2993 LW BARENDRECHT

T +31 (0)180 64 54 00

E info@nedelko.nl

NEDELKO BELGIUM NV

Prins Boudewijnlaan 49

2650 EDEGEM

T +32 (0)3 826 99 99

E info@nedelko.be

NEDELKO S.R.O.

Ke Slivenci 48

154 00 PRAHA 5 - LOCHKOV

T +420 222 563 003

E info@nedelko.cz

NEDELKO GERMANY GMBH

Heinz-Bäcker-Str. 27

45356 ESSEN

T +49 (0)201 560503 50

E info@nedelko.de