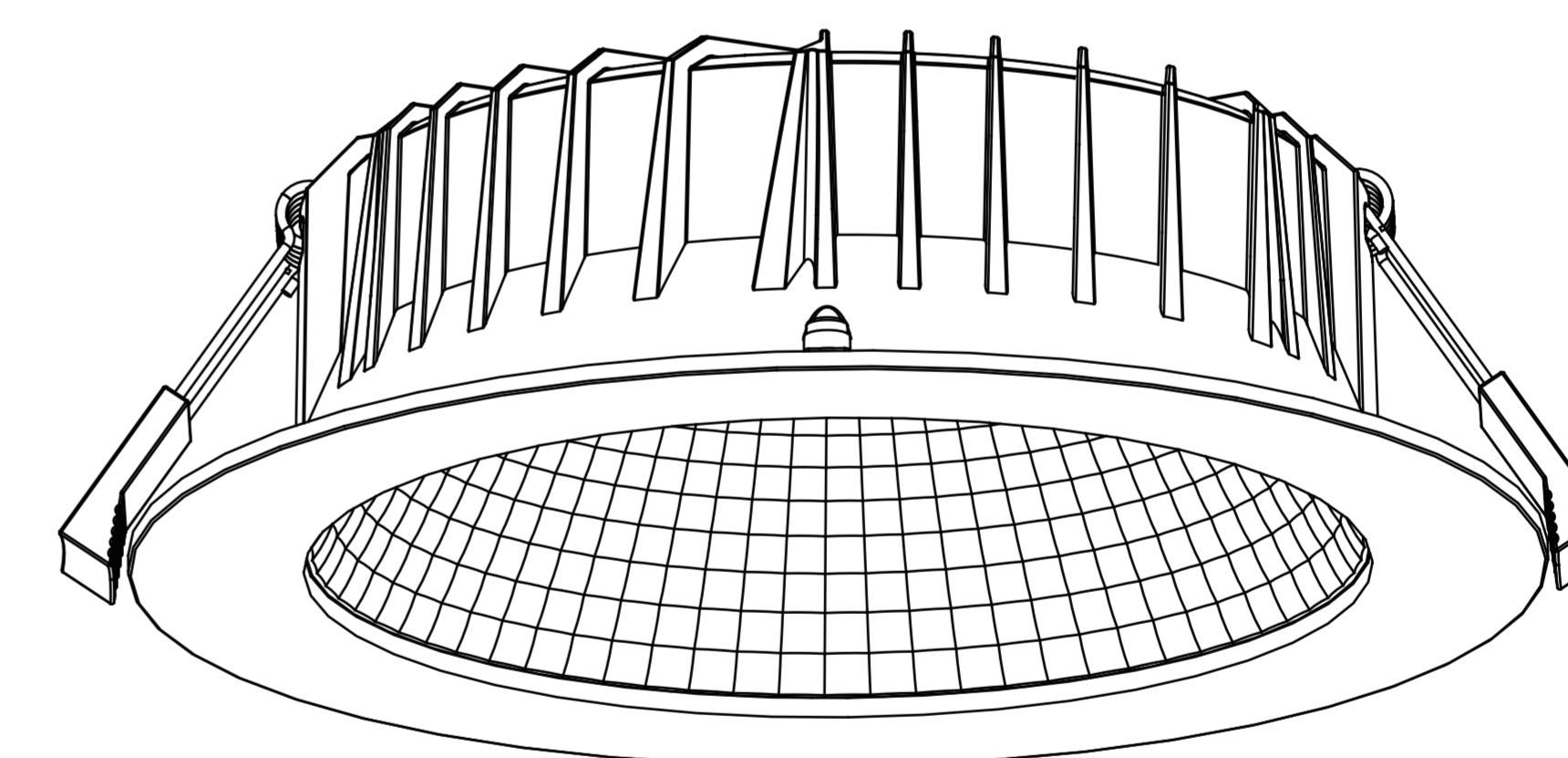
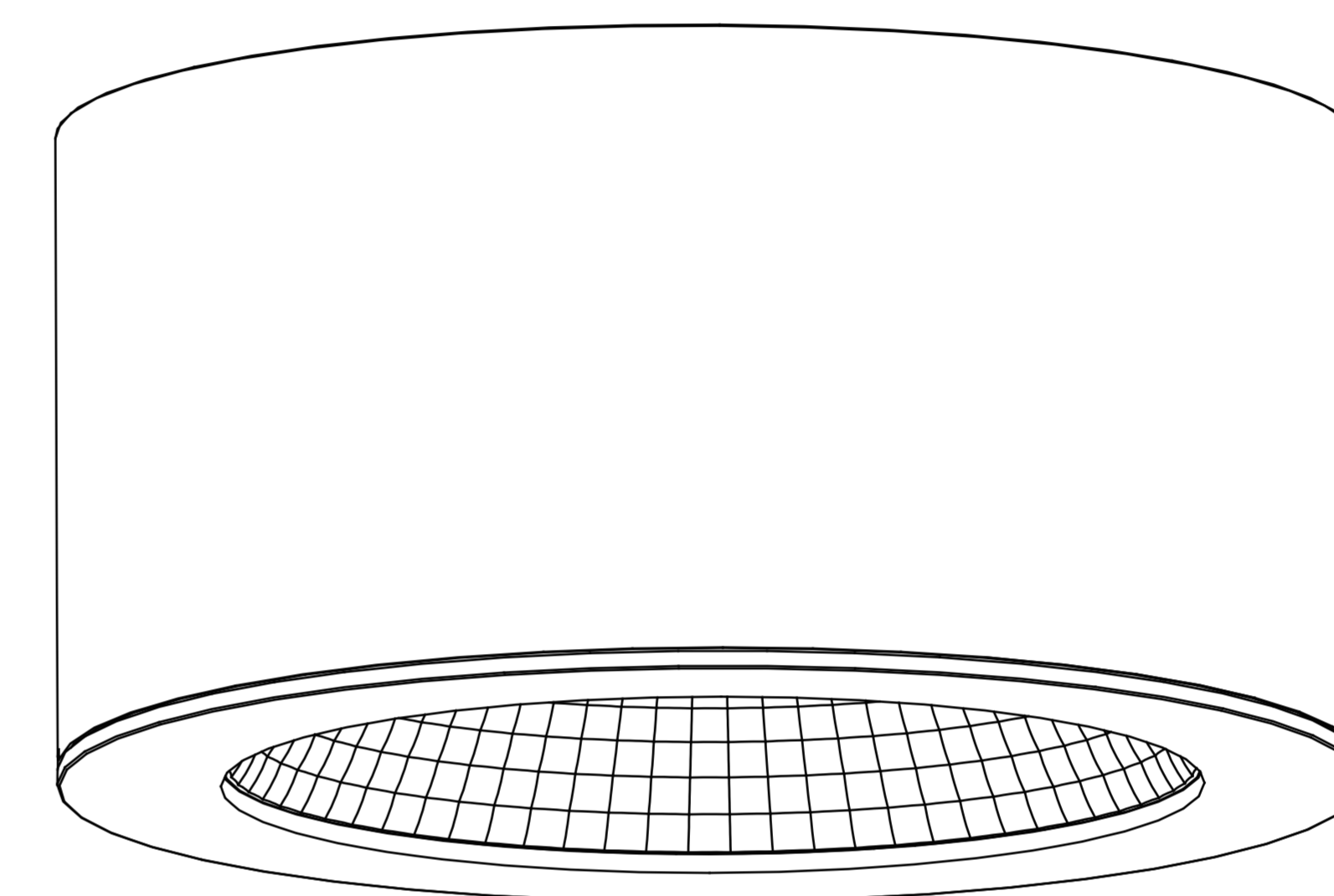




LED DOWNLIGHT USER GUIDE



LED DOWNLIGHT

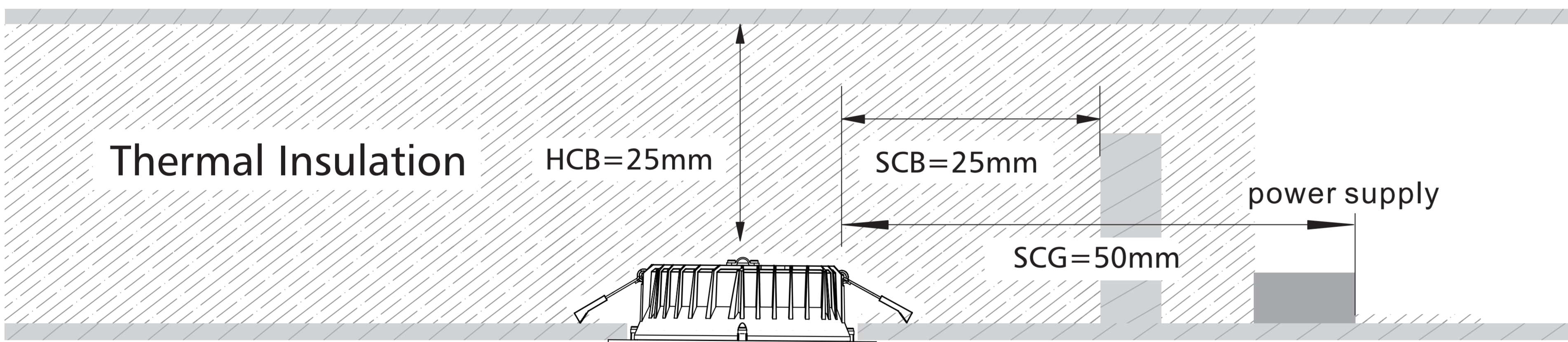
Safety Instructions

To ensure correct function and safety, please read and follow all instructions carefully before using the product:

1. Turn off power supply before installation or before doing any maintenance work.
2. Do not install any luminaire near the heat source.
3. Do not exceed the nominal supply voltage or amperage ratings.
4. All wiring and installation of the lighting must adhere to local and national wiring rules.
5. Take care not to pull any electrical wires during unpacking as this may damage the connection.
6. Lay out all the components on a smooth surface and make sure there are no components missing before assembling.
7. To avoid injury or damage to the fitting, please ensure that power leads and screws are secure before connecting the power.
8. Please keep instructions for future reference.
9. Please refer to IP(Ingress Protection) rating of this luminaire when deciding the location of installation.

Installation Instruction

Fig 1: Installation Spacing



RISK OF FIRE – Required clearance from structural members and building elements
 SCB=25mm HCB=25mm MIC=0mm SCI=0mm

HCB: Height clearance to building element
 MIC: Minimum insulation clearance
 SCI : Side clearance to insulation
 SCB: Side clearance to building element
 SCG(Side clearance to auxiliary equipment (control gear)):50mm

Ceiling cutout table

Downlight Dia (inch)	4	5	6	8
Ceiling Cutout (mm)	120-130	140-150	160-170	200-210

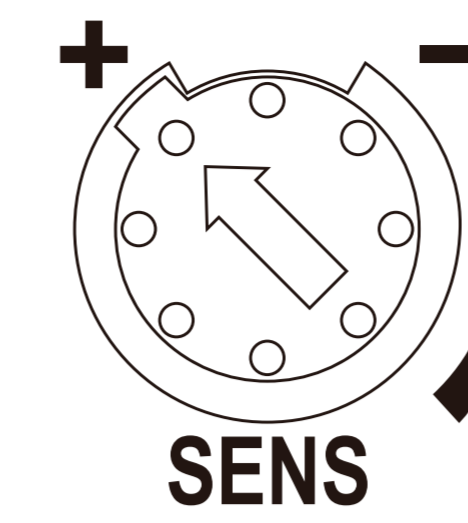
IP rating table: Before installation, please check the IP label on the luminaire to choose the right place to install.

IP40	Indoor use only, do not use in wet or damp place.
IP44	Suitable for indoor areas including bathrooms and covered/sheltered areas such as porches.

Dimmer selection table: Before installation, please check the information of driver as below.

Non-dim	Can not be used with any dimmer.
Triac dim	Compliant with recommended TRIAC dimmers, dimming range 8-100%.

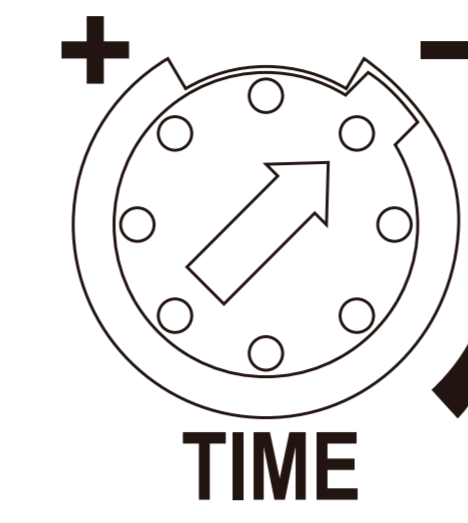
Detection area:



The detection area can be adjusted by the knob, clockwise adjustment increases the sensitivity, counterclockwise adjustment reduces the sensitivity, the maximum detection distance is 6 meters, the minimum detection distance is 2 meters.

Notice 1:The distance test is carried out under 25°C, 1.8 meters wall mounting installation height. The test result is based on the movement along the tangential direction of the sensor, and the detect distance can be adjusted by the dial switch.

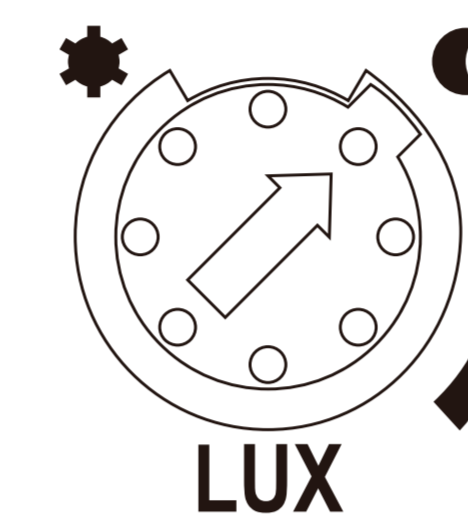
Notice 2:Infrared sensor will be affected by temperature. Too high or too low temperature may affect the detect distance or even cause failure to sensor.



Hold time:

The hold time can be adjusted by the knob. Clockwise adjustment increases the hold time, counterclockwise adjustment reduces the hold time, the maximum hold time is 7min, and the minimum hold time is 10s.

Notice 1:The hold time counting should be started after the sensor is powered on and initialized.



Daylight sensor:

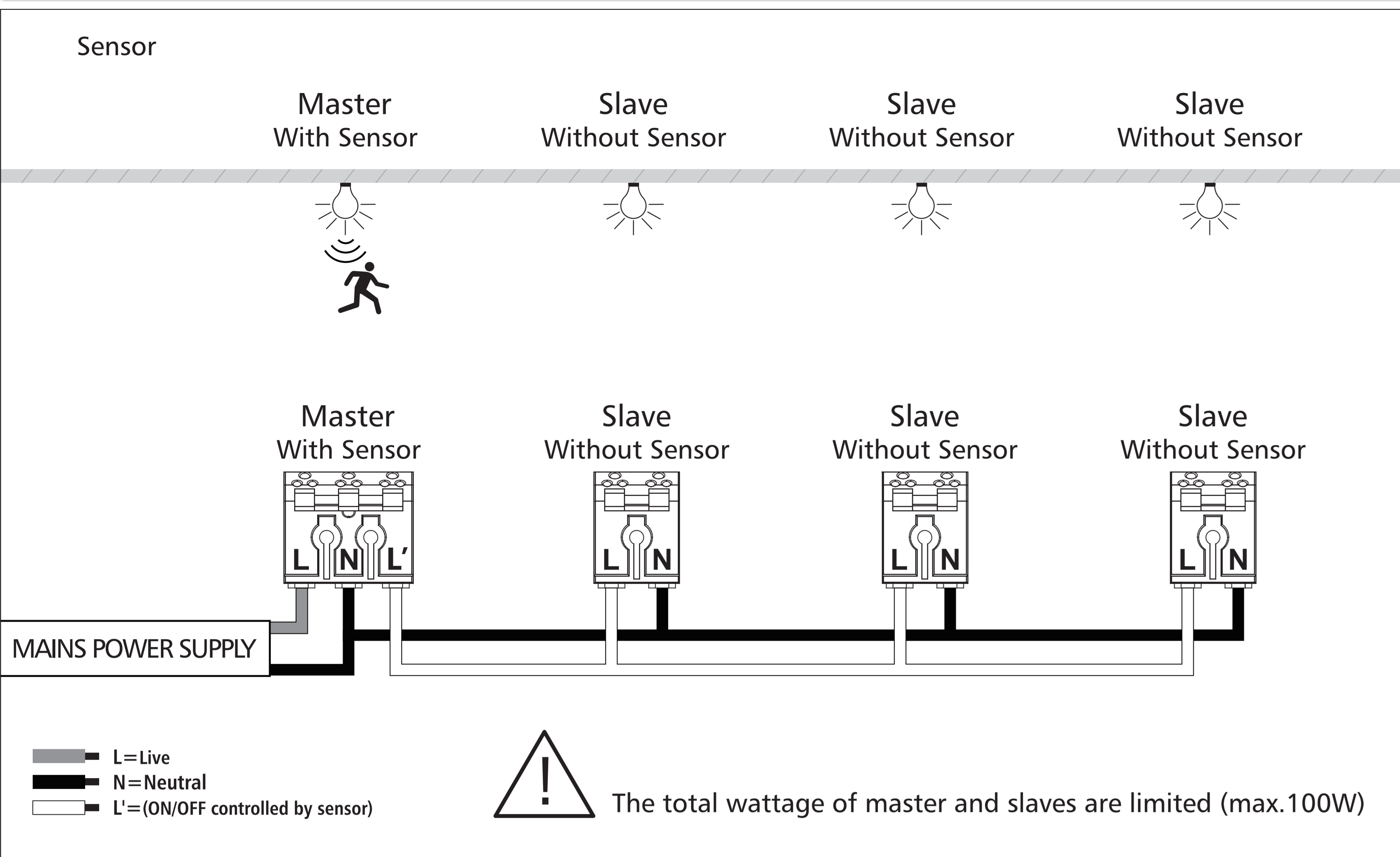
The light threshold can be selected through the Knob. Clockwise adjustment increases the light threshold, counterclockwise adjustment reduces the light threshold, the maximum light threshold is 2000lux, and the minimum light threshold is 10lux.

Notice 1:The light threshold may cause a large deviation in different lamps.

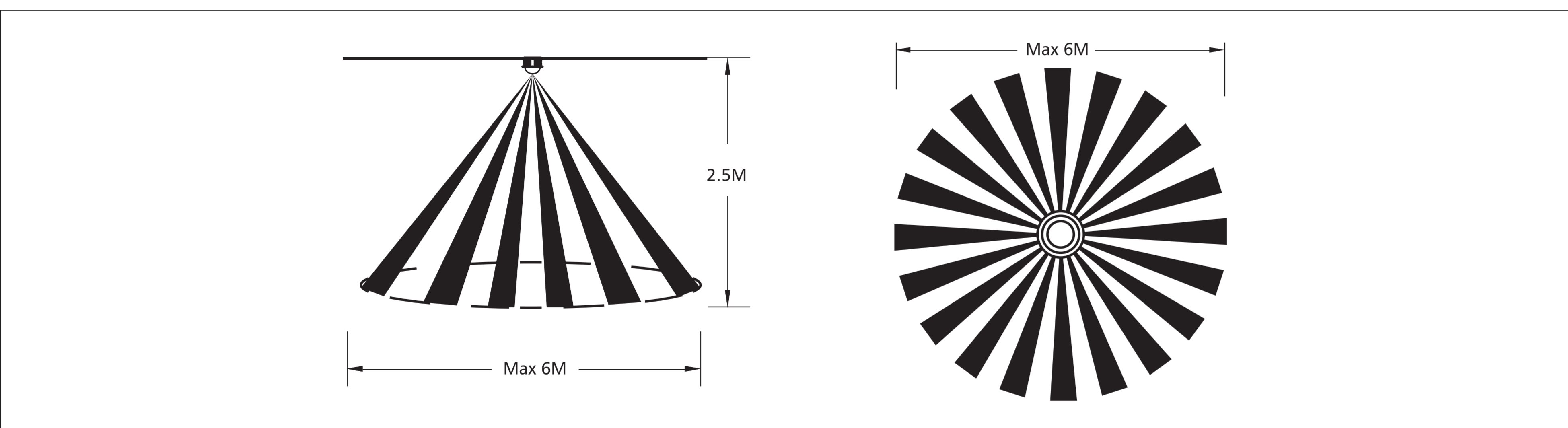
Sensor Datasheet

Operating voltage	AC220-240V
Power consumption	1W max
Microwave frequency	-
Transmission power	-
Detection angle	90°
Detection Area	2-3M Knob adjustable
Hold time	10S-7min Knob adjustable
Daylight sensor	10-2000lux Knob adjustable
Stand-by DIM Level	-
Stand-by Period	-
Dimming Range	-
Microwave ON/OFF function	-
Installation Height	Recessed recommended height is 2.5m
Minimum mounting distance	recommended mounting distance should be more than 2m
Operating temperature(°C)	25°C

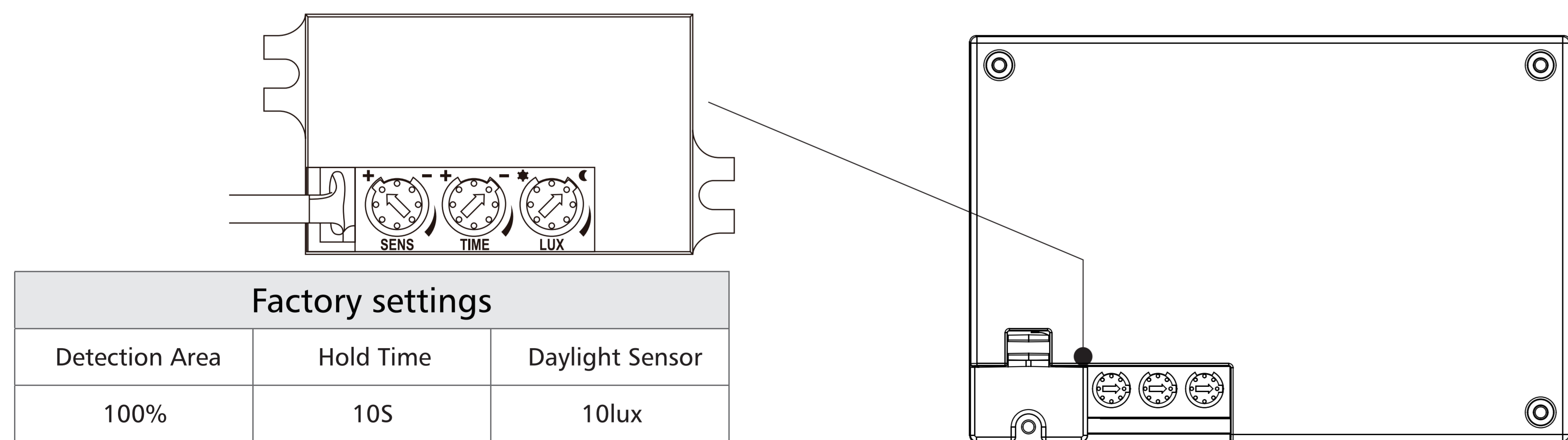
MASTER/SLAVE SENSOR FUNCTION Wiring Diagram



Detction Range



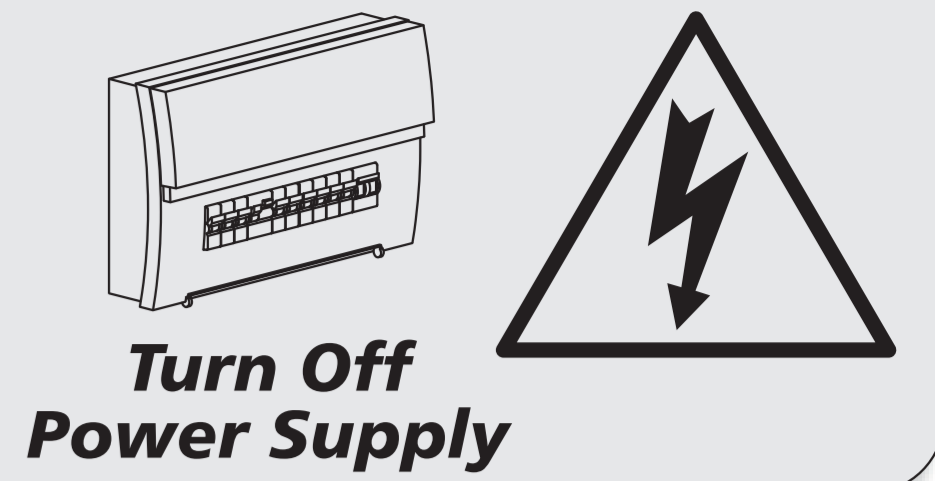
Sensor Setting



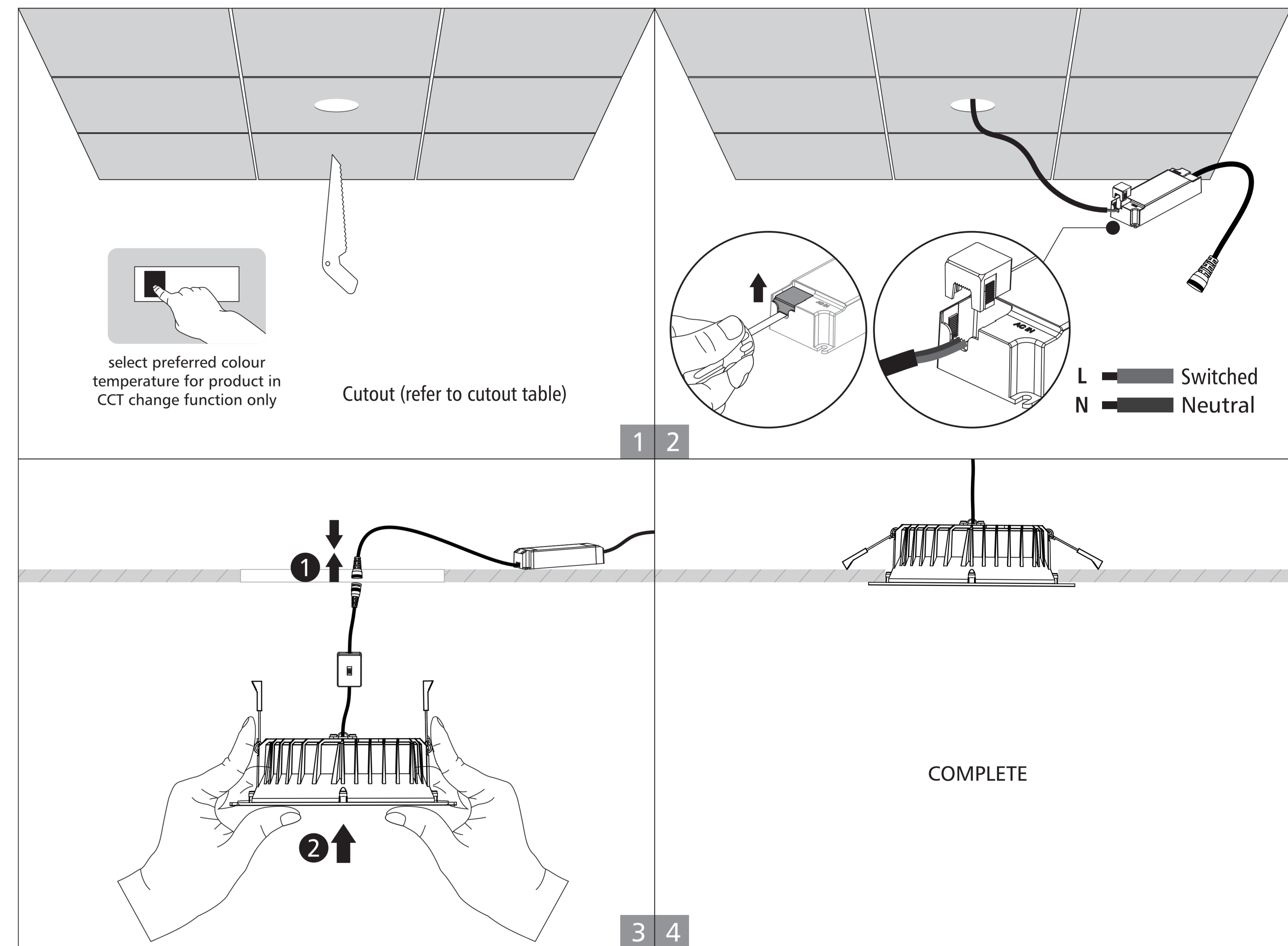
Installation Procedure

WARNING

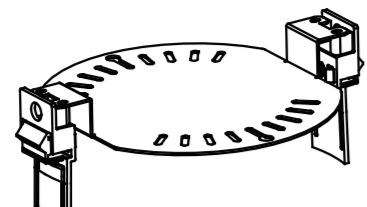
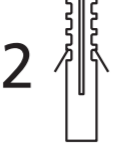

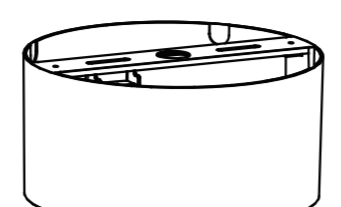
1. Switch off before installation.
2. Switch on only after complete installation and examination of the circuit.
3. Professional electrician for installation and maintenance only.

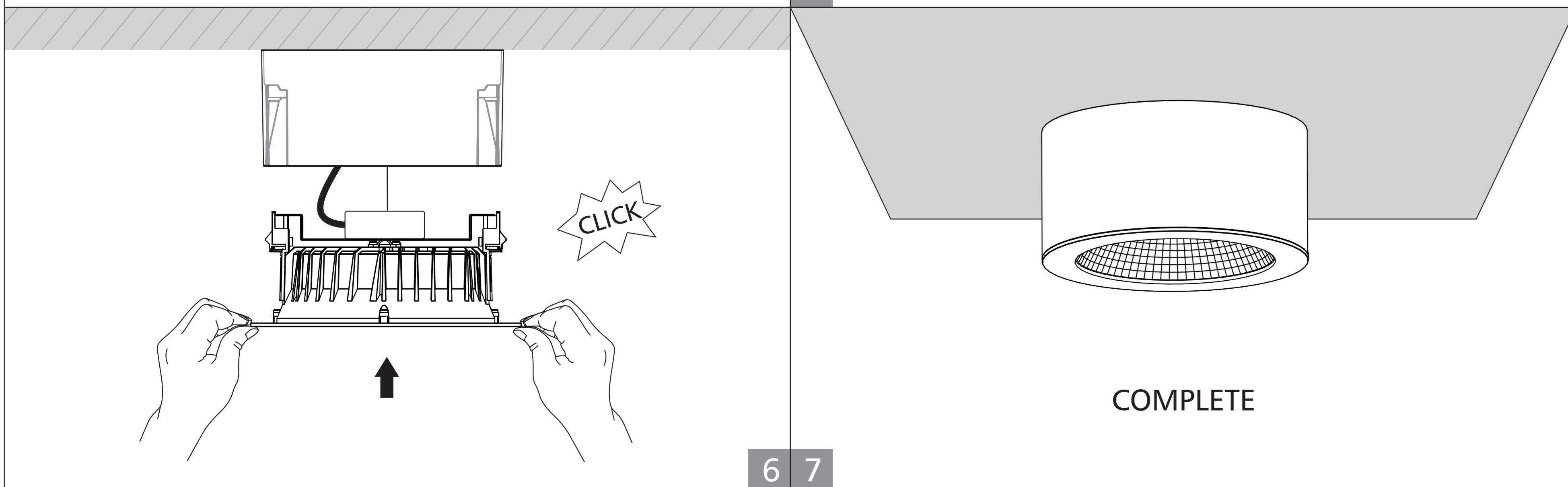
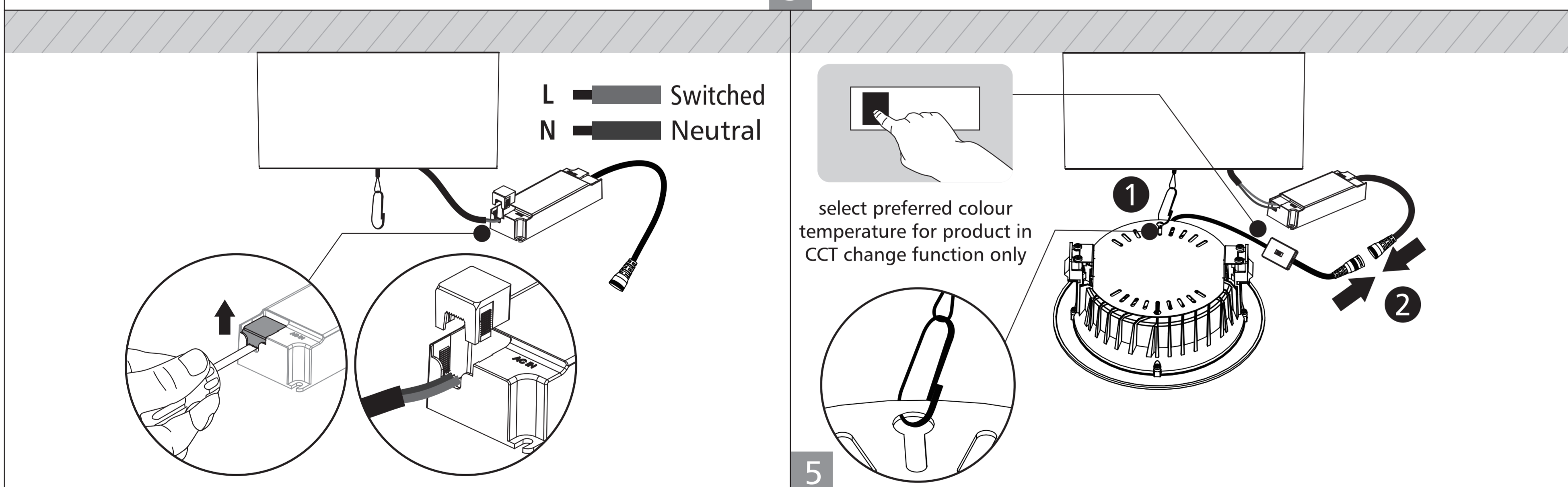
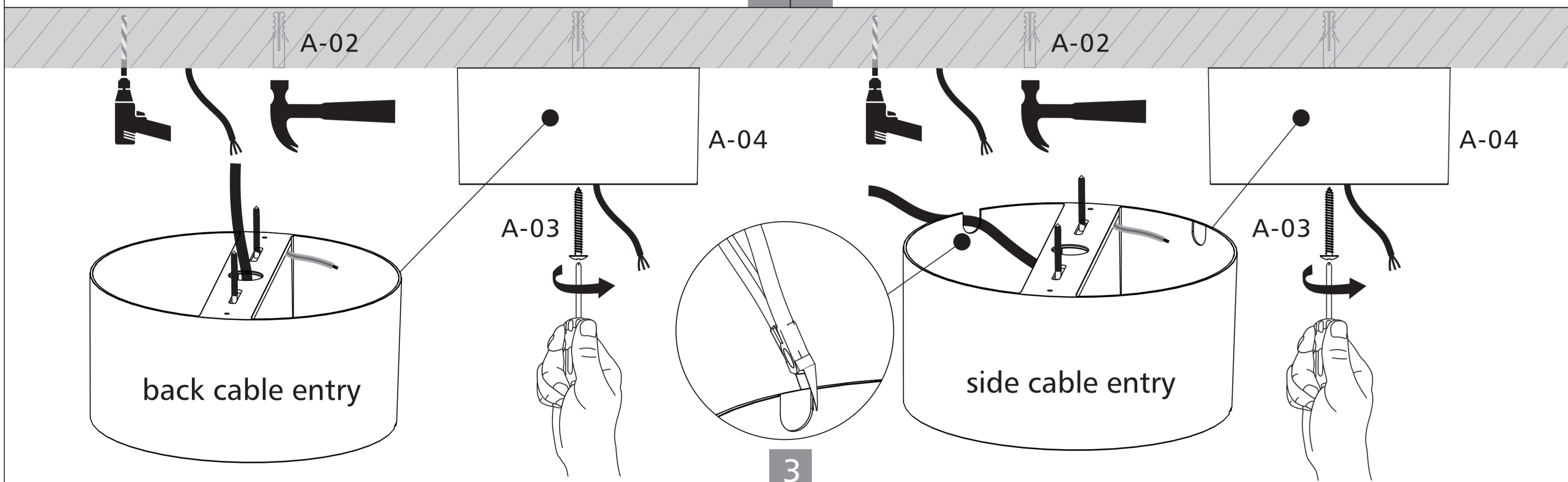
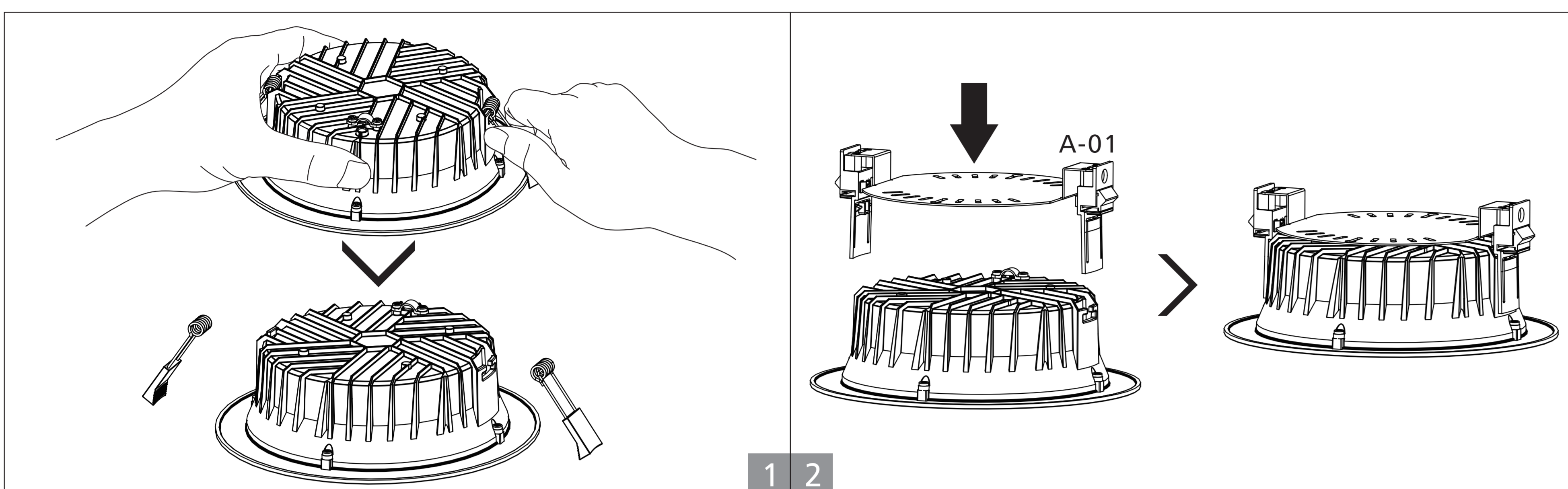


Downlight without sensor



Surface mount installation

Code	A-01 	A-02 	A-03 	A-04 
Quantity	x1	x2	x2	x1



Downlight with sensor

