

Presence detector P46LR, DALI-2, secondary - BMS, 32 – 37 m, for flush mounting (SnapFit), WAGO WINSTA® MIDI 2 m cable with 5-pol. connector, white

353-751021-1

4 year warranty

This presence detector is a DALI secondary and BMS detector that extends the detection range of a DALI master detector or can be part of a DALI-2 BMS system. If the detector is used as a secondary detector and connected to a DALI bus controlled by a DALI master detector, it will start communicating with this master detector without further commissioning. If it is connected to the DALI bus of a BMS system, the detector needs to be commissioned with the BMS software. The detector settings can be modified using the Niko detector tool app and 2-way Bluetooth® communication. The Snapfit® mounting system guarantees fast and stable installation. Moreover, the detector is prewired with a cable and a 5-pole female connector that is unique, which helps to avoid installation errors and save time.

This P46 detector with one cable is suitable for all DALI-2 installations. It can be used to extend the detection range for DALI-2 P47 or P48 master detectors or in combination with a DALI-2 BMS system.

Finishing colour: white

Compatible master detectors: 353-651321-1, 353-651421-1, 353-651421-2, 353-751321-1, 353-751421-1, 353-751421-2

- Easy installation thanks to the direct connection to the DALI bus
- Communication with the master or BMS system via the DALI bus
- Power supply via the DALI bus
- SnapFit mounting bracket for easy and stable mounting in all types of suspended ceilings with or without removable tiles
- Quick cabling using screwless and easily accessible plug-in terminals
- Screwless strain relief and screwless installation of cable cover
- User-friendly app for settings (iOS/Android) or BMS software
- 2-way Bluetooth® communication ensures quick modification of settings and live feedback in the app
- Fitted with three PIR segments, each covering 120°
- Pre-configured functions:
 - adjustable PIR sensitivity (4 levels) in 3 x 120°
 - one or more PIR segments can be disabled
 - event log keeps track of recent changes
- Settings and configuration can be locked with a PIN code



Bluetooth

DALI



DALI-2



secondary -
BMS



360°



ø 37 m from
a height of
3 m



2 – 3.5 m



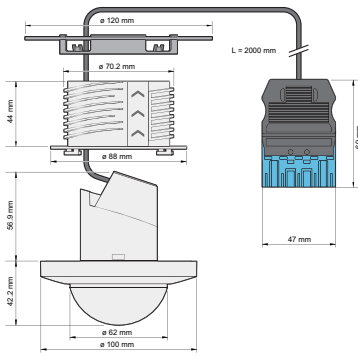
flush-
mounting
(SnapFit)

niko

Technical data

Article number	353-751021-1
Compatible master detectors	353-651321-1, 353-651421-1, 353-651421-2, 353-751321-1, 353-751421-1, 353-751421-2
Input voltage	via the DALI bus
Detector output	DALI-2
Maximum current consumption	28.1 mA
Nominal current consumption (12 V, 25°C), Bluetooth® enabled	8.1 mA
Nominal current consumption (12 V, 25°C), Bluetooth® disabled	5 mA
Maximum MCB rating	16 A (limited by national installation rules)
Maximum startup time DALI	< 1200 ms
Maximum PIR detection startup time	1 min 10 s
Light intensity range	0 lux – 10360 lux
Detection angle	360°
Detection range (PIR)	ø 37 m from a height of 3 m
Ambient temperature	-25 – +40 °C
Mounting method	flush-mounting (SnapFit)
Mounting height	2 – 3.5 m
Drill diameter	76 mm
Minimum flush-mounting depth	56.9 mm
Colour	white (approximately RAL 9010)
Maximum range Bluetooth® (free field, depending on the device)	50 m
Operating frequency	2.4 GHz
Maximum radio frequency power	-2 dBm
Protection degree	IP20
Impact resistance	IK04
Modification of settings	Niko detector tool app (iOS-Android) and 2-way Bluetooth® communication - BMS software
Halogen-free	yes
Marking	CE
Cable specifications	– cable colour: black
– length: 2 m	
– wire cross-section: 1,5 mm ²	
– voltage: 250 V	
– rated current: 16 A	
– halogen-free: yes	
– ambient temperature: -5 – +40°C	
– type of connector: male, 5-pole, blue	

Dimensions



Wiring diagram

