

Reserve tissue holder - Brushed Platinum

SERIES SPECIFIC

83 590 780 Product version from 4/1/2025

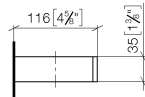
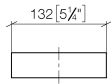
- width 132mm
- height 35 mm
- 116mm projection



	Brushed Platinum	83 590 780-06
	Chrome	83 590 780-00
	Platinum	83 590 780-08
	Dark Chrome	83 590 780-19
	Brushed Light Gold (PVD)	83 590 780-27
	Brushed Durabrass (23kt Gold)	83 590 780-28
	Brushed Gold (PVD)	83 590 780-37
	Brushed Dark Brass (PVD)	83 590 780-39
	Brushed Bronze (PVD)	83 590 780-42
	Brushed Dark Bronze (PVD)	83 590 780-43
	Brushed Champagne (22kt Gold)	83 590 780-46
	Champagne (22kt Gold)	83 590 780-47
	Brushed Dark Platinum	83 590 780-99

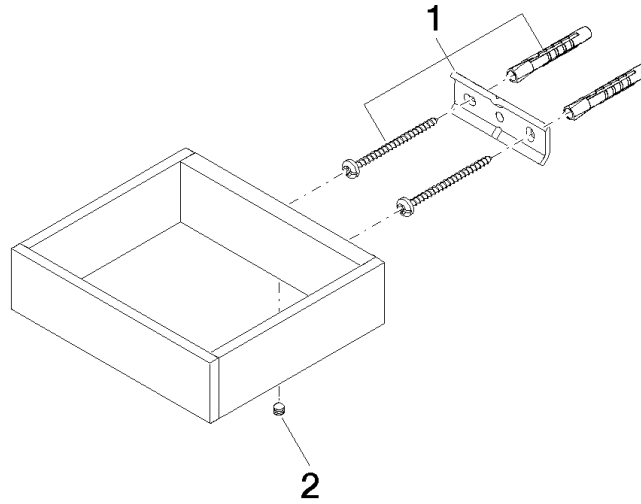
83 590 780 Product version from 4/1/2025

mm [inches]



83 590 780 Product version from 4/1/2025

Parts for other finishes can be found here: [Chrome](#)



Spare parts list

No.	Item Number	Name	Quantity used	Delivery time
1	05 17 20 718 00 90	Attachment set 30 x 70 x 5 mm -	1.00	14
2	90 31 11 112 00 90	Mounting Threaded pin M5 x 6 mm -	1.00	14