

Product data sheet Spirotech

Product name

SpiroTrap -DN100 -HiFlow -Weld

Product properties

A steel dirt separator for high flow rate (3 m/s) with a DN50 - DN150 weld connection

- Applicable for high flow rate systems (3 m/s)
- Applicable with 50/50 Ethylene Glycol / Water (Volume)
- Very small particles, from 5 μm (= 0.005 mm) are separated and removed
- Dirt can be drained while the system is in operation
- No shut-off valves or bypass required
- Constant low pressure drop
- Maintenance only takes a few seconds
- No unnecessary downtime
- Weld connections
- Connection diameters from DN50 - DN150, larger connection diameters on request

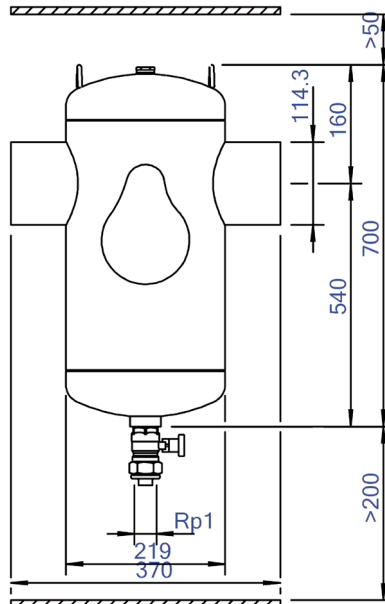
Article number

HE100L

Product image



Product dimensions



Product data sheet Spirotech

ETIM product data

| | |
|---|----------------|
| Housing material | Steel |
| With drain valve | Yes |
| Housing material quality | St 37 (1.0254) |
| Backwash filter | No |
| Medium temperature (continuous) | 0 - 110 °C |
| Max. operating pressure | 10 bar |
| KVS value [m ³ /h] at ΔP 1 bar | 244.8 |
| Variable flow direction | Yes |
| With insulation | No |
| Separator type | Dirt |
| Connection | Welded end |
| Model | Horizontal |
| Nominal diameter | DN 100 |
| Max. glycol mixture | 50 % |
| Suitable for heating | Yes |
| Suitable for cooling | Yes |
| Construction length | 370 mm |
| Article compression class | PN 10 |
| Surface protection | Lacquered |

| | |
|---------------------------------------|--------------------------|
| Suitable for open system | No |
| Suitable for closed system | Yes |
| Suitable for solar | No |
| Whirl operating principle | No |
| Negative pressure operating principle | No |
| With dismountable filter | No |
| Filter volume | 25 l |
| Magnet operating principle | No |
| Thrust operating principle | No |
| With automatic de-aerator | No |
| Partial flow principle | No |
| Principle full flow with settling | Yes |
| Cleaning possible during operation | Yes |
| With couplers | Yes |
| Inlet/outlet offset distance | 0 mm |
| Material of connection | Steel |
| Flow-through capacity | 0 - 94 m ³ /h |
| Flange standard | Other |

Disclaimer

This product sheet has been compiled with the greatest possible care. Nevertheless, it may contain errors or omissions. For the most current and correct information we refer you to our website

