

Protective covering



Technical data

| | | |
|---------------|--------------------|-------------------|
| Weight | Weight | 0.001 kg |
| | Packaging quantity | Multipack 20 pcs. |

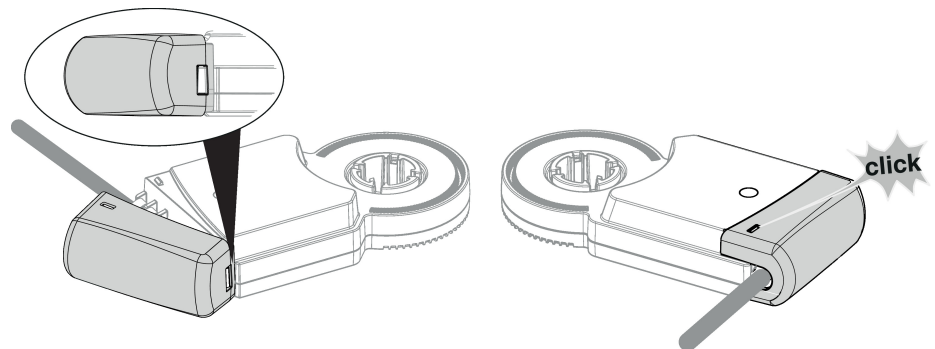
Safety notes



- This accessory has been designed for use in stationary heating, ventilation and air-conditioning systems and must not be used outside the specified field of application, especially in aircraft or in any other airborne means of transport.
- Only authorised specialists may carry out installation. All applicable legal or institutional installation regulations must be complied with during installation.
- The accessory may not be disposed of as household refuse. All locally valid regulations and requirements must be observed.

Product features

- Used materials** Thermo-plastic material
- Application** Suitable for UM., UH..



Dimensions

