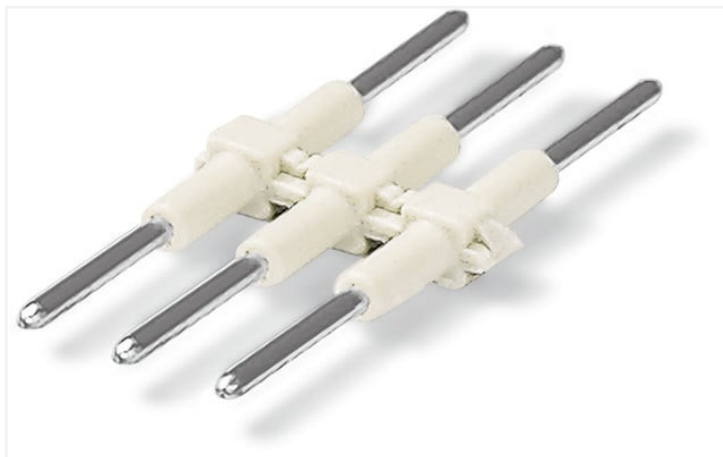


Data Sheet | Item Number: 2060-954/028-000

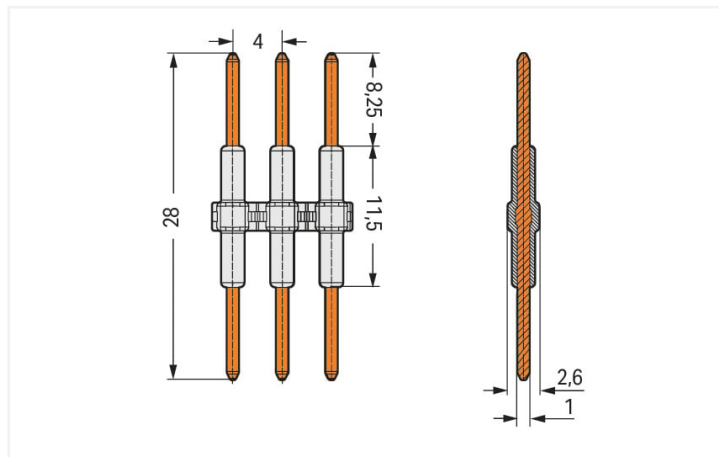
Board-to-Board Link; Pin spacing 4 mm; 4-pole; Length: 28 mm; white

<https://www.wago.com/2060-954/028-000>

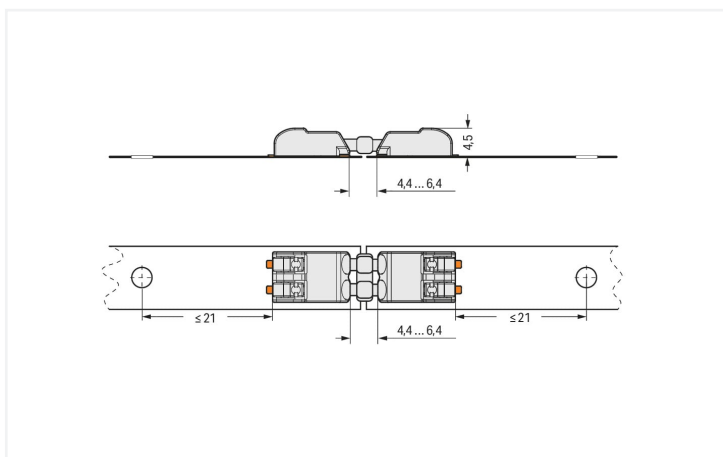


Color: ■ white

Similar to illustration



Dimensions in mm



Dimensions in mm

- Board-to-board links simplify LED module assembly
- Easy push-in connection and disconnection

Notes

Safety information

Notice: Only suitable for 2060-45x, not for 2060-40x.

Electrical data

| Ratings per | IEC/EN 60664-1 | | |
|----------------------|----------------|--------|--------|
| Overvoltage category | III | III | II |
| Pollution degree | 3 | 2 | 2 |
| Nominal voltage | 63 V | 160 V | 320 V |
| Rated surge voltage | 2.5 kV | 2.5 kV | 2.5 kV |
| Rated current | 9 A | 9 A | 9 A |

| | |
|---------------|---------|
| Approvals per | UL 1977 |
| Rated voltage | 250 V |
| Rated current | 9 A |

Connection data

| | | | |
|----------------------------|---|---------------------|---|
| Total number of potentials | 4 | Connection 1 | |
| | | Pole number | 4 |

Physical data

| | |
|-------------|------------------------|
| Pin spacing | 4 mm / 0.157 inches |
| Width | 15.4 mm / 0.606 inches |
| Height | 2.6 mm / 0.102 inches |
| Depth | 28 mm / 1.102 inches |

Mechanical data

| | |
|-------------------------|---|
| Mating cycles (max.) | 10 |
| Number of mating cycles | 10 connections/disconnections (max.) |
| Suitable | for SMD PCB terminal blocks (2060 Series) |

Material data

| | |
|-----------------------------|--|
| Note (material data) | Information on material specifications can be found here |
| Color | white |
| Material group | I |
| Insulation material | Polyamide (PA66) |
| Flammability class per UL94 | V0 |
| Contact material | Copper alloy |
| Contact plating | Silver |
| Fire load | 0.008 MJ |
| Weight | 0.9 g |

Environmental requirements

| | |
|-------------------------|-----------------|
| Limit temperature range | -60 ... +105 °C |
|-------------------------|-----------------|

Commercial data

| | |
|-----------------------|---------------|
| eCl@ss 10.0 | 27-14-11-92 |
| eCl@ss 9.0 | 27-14-11-92 |
| ETIM 8.0 | EC002848 |
| ETIM 7.0 | EC002848 |
| PU (SPU) | 250 pcs |
| Packaging type | Box |
| Country of origin | CN |
| GTIN | 4055143303842 |
| Customs tariff number | 85369010000 |

Environmental Product Compliance

| | |
|------------------------|-------------------------|
| RoHS Compliance Status | Compliant, No Exemption |
|------------------------|-------------------------|

Approvals / Certificates

General approvals **Declarations of conformity and manufacturer's declarations**



| Approval | Standard | Certificate Name |
|--|--------------|------------------|
| CCA DEKRA Certification B.V. | EN 60947 | NTR NL-7724 |
| CCA DEKRA Certification B.V. | EN 60998 | NTR NL 7725/M1 |
| CCA DEKRA Certification B.V. | EN 60838 | NTR NL 2168246 |
| CCA DEKRA Certification B.V. | EN 60947-7-4 | NTR NL 7843 |
| cURus Underwriters Laboratories Inc. | UL 1977 | E45171 |
| KEMA/KEUR DEKRA Certification B.V. | EN 60838 | 2168246.01 |
| KEMA/KEUR DEKRA Certification B.V. | EN 60947 | 71-108183 |
| KEMA/KEUR DEKRA Certification B.V. | EN 60998 | 71-109040 |
| KEMA/KEUR DEKRA Certification B.V. | EN 60947-7-4 | 71-114208 |
| UL Underwriters Laboratories Inc. | UL 1059 | E45172 |

| Approval | Standard | Certificate Name |
|---|----------|------------------|
| EU-Declaration of Confor- mity WAGO GmbH & Co. KG | - | - |
| UK-Declaration of Confor- mity WAGO GmbH & Co. KG | - | - |

Downloads

Environmental Product Compliance

| Compliance Search | |
|---|---|
| Environmental Product Compliance 2060-954/028-000 | ↓ |

Documentation

| Additional Information | | | |
|------------------------|------------|-------------------|---|
| Technical Section | 03.04.2019 | pdf 2010.85 KB | ↓ |

CAD/CAE-Data

CAD data

2D/3D Models
2060-954/028-000



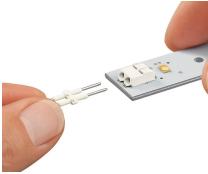
CAE data

ZUKEN Portal
2060-954/028-000



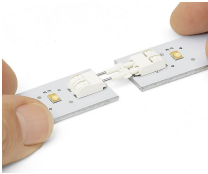
Installation Notes

Installation



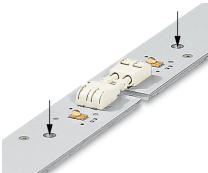
Inserting a board-to-board link into the terminal block.

Installation



Assembly: Place PCBs on a flat surface and connect terminal blocks on adjoining PCBs via board-to-board link.
Disassembly: Pull PCBs apart (max. 10 mating cycles).

Installation



The PCBs must be secured.