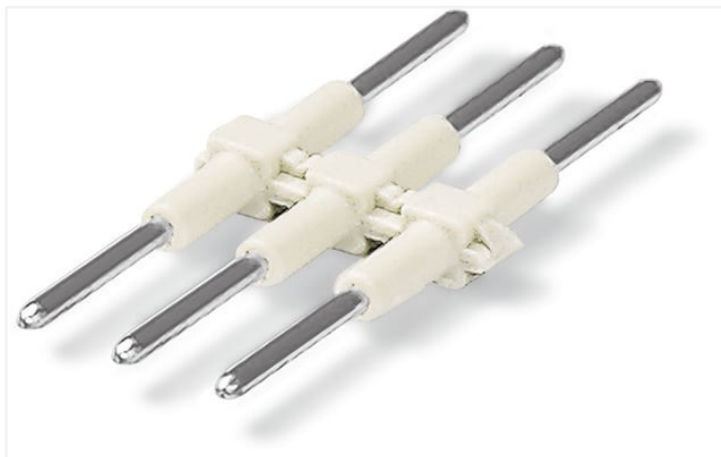


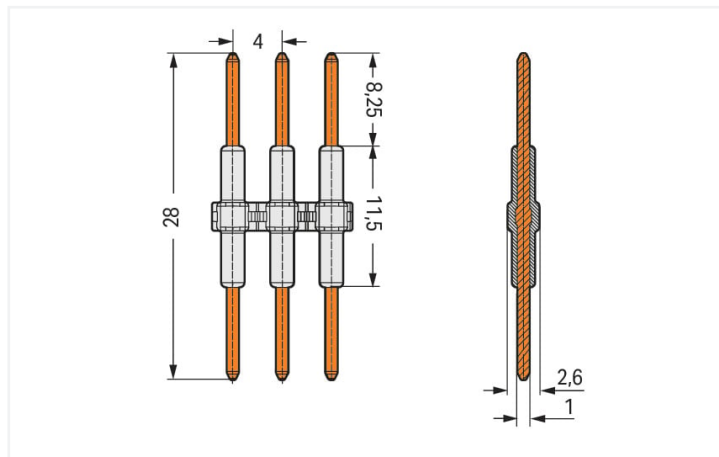
Data Sheet | Item Number: 2060-953/028-004

Board-to-Board Link; Pin spacing 4 mm; 3-pole; Length: 28 mm; black

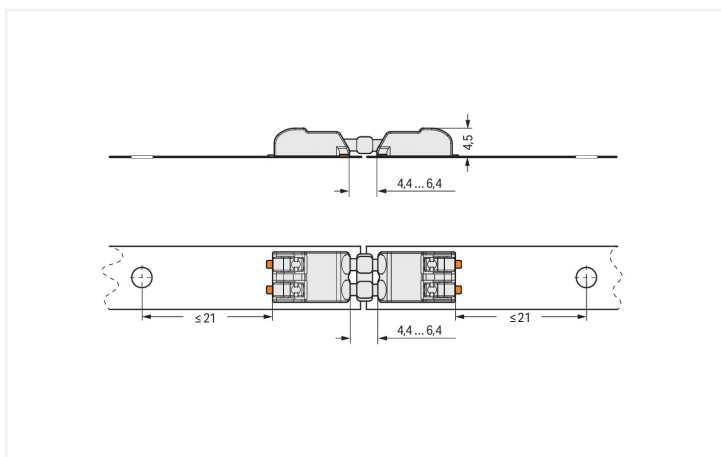
<https://www.wago.com/2060-953/028-004>



Color: ■ black



Dimensions in mm



Dimensions in mm

- Board-to-board links simplify LED module assembly
- Easy push-in connection and disconnection

Notes

Safety information

Notice: Only suitable for 2060-45x, not for 2060-40x.

Electrical data

Ratings per	IEC/EN 60664-1		
Overvoltage category	III	III	II
Pollution degree	3	2	2
Nominal voltage	63 V	160 V	320 V
Rated surge voltage	2.5 kV	2.5 kV	25 kV
Rated current	9 A	9 A	9 A

Approvals per	UL 1977
Rated voltage	250 V
Rated current	9 A

Connection data

Total number of potentials	3	Connection 1	
		Pole number	3

Physical data

Pin spacing	4 mm / 0.157 inches
Width	11.4 mm / 0.449 inches
Height	2.6 mm / 0.102 inches
Depth	28 mm / 1.102 inches

Mechanical data

Mating cycles (max.)	10
Number of mating cycles	10 connections/disconnections (max.)
Suitable	for SMD PCB terminal blocks (2060 Series)

Material data

Note (material data)	Information on material specifications can be found here
Color	black
Material group	I
Insulation material	Polyamide (PA66)
Flammability class per UL94	V0
Contact material	Copper alloy
Contact plating	Silver
Fire load	0 MJ
Weight	0.7 g

Environmental requirements

Limit temperature range	-60 ... +105 °C
-------------------------	-----------------

Commercial data

PU (SPU)	375 pcs
Country of origin	CN
GTIN	4066966301250
Customs tariff number	85369010000

Environmental Product Compliance

RoHS Compliance Status	Compliant, No Exemption
------------------------	-------------------------

Downloads

Environmental Product Compliance

Compliance Search

Environmental Product
Compliance
2060-953/028-004



Documentation

Additional Information

Technical Section

03.04.2019

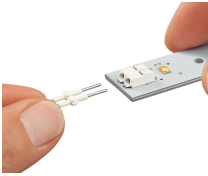
pdf

2010.85 KB



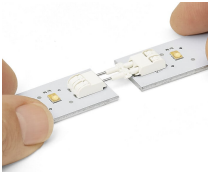
Installation Notes

Installation



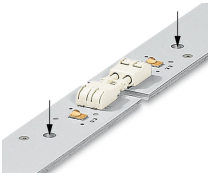
Inserting a board-to-board link into the terminal block.

Installation



Assembly: Place PCBs on a flat surface and connect terminal blocks on adjoining PCBs via board-to-board link.
Disassembly: Pull PCBs apart (max. 10 mating cycles).

Installation



The PCBs must be secured.