

Product data sheet Spirotech

Product name

SpiroVent -22mm -Hor -HighT

Product properties

A brass (microbubble) deaerator for high-temperature systems (max. 180 °C), with a 22 mm - 1½" horizontal connection

- Removes all circulating air and microbubbles effectively
- Applicable with 50/50 Glycol / Water (Volume)
- Applicable for high temperature system configurations
- Removes trapped air when installed at the correct location
- Greatly reduces the need for manual venting
- Constant low-pressure drop
- No unnecessary shutdown
- Connection diameters from 22 mm to 1½" (G1½)
- Exceptional guarantee

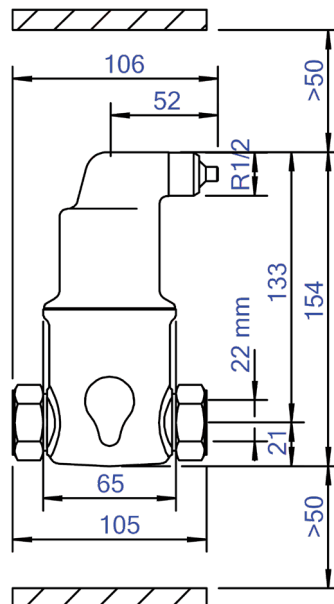
Article number

AA022/002

Product image



Product dimensions



Product data sheet Spirotech

ETIM product data

Housing material	Brass	Outer pipe diameter	22 mm
With drain valve	No	Construction length	106 mm
Housing material quality	Other	Article compression class	PN 10
Backwash filter	No	Surface protection	Untreated
Medium temperature (continuous)	0 - 180 °C	Suitable for open system	No
Max. operating pressure	10 bar	Suitable for closed system	Yes
KVS value [m ³ /h] at ΔP 1 bar	10.96	Suitable for solar	No
Variable flow direction	Yes	With dismountable filter	No
With insulation	No	Filter volume	0.18 l
Separator type	Air	Magnet operating principle	No
Connection	Compression ring	With automatic de-aerator	Yes
Model	Horizontal	With couplers	Yes
Nominal diameter	Other	Inlet/outlet offset distance	0 mm
Max. glycol mixture	50 %	Material of connection	Brass
Suitable for heating	Yes	Material quality connection	Other
Suitable for cooling	Yes	Flow-through capacity	0 - 1.3 m ³ /h

Disclaimer

This product sheet has been compiled with the greatest possible care. Nevertheless, it may contain errors or omissions. For the most current and correct information we refer you to our website

