

# Product data sheet Spirotech

## Product name

**SpiroVent -1½" -Hor -HighT+P**

## Product properties

A brass (microbubble) deaerator for high-temperature and high-pressure systems (max. 150 °C, max. 25 bar), with a ¾" - 1½" horizontal connection

- Applicable with 50/50 Glycol / Water (Volume)
- Removes all circulating air and micro bubbles effectively
- Applicable for high temperature & high pressure system configurations
- Removes trapped air when installed at the correct location
- Greatly reduces the need for manual venting
- Constant low-pressure drop
- No unnecessary shutdown
- Connection diameters from ¾" (G¾) to 1½" (G1½)
- Exceptional guarantee

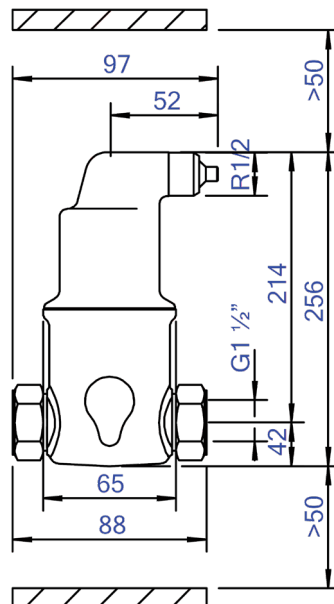
## Article number

**AA150/025**

## Product image



## Product dimensions



# Product data sheet Spirotech

## ETIM product data

Housing material	Brass
With drain valve	No
Housing material quality	Other
Backwash filter	No
Medium temperature (continuous)	0 - 150 °C
Max. operating pressure	25 bar
KVS value [m3/h] at ΔP 1 bar	43.85
Variable flow direction	Yes
With insulation	No
Separator type	Air
Connection	Internal thread cylindrical BSPP-G (ISO 228-1)
Model	Horizontal
Nominal diameter	1 1/2 inch (40)
Max. glycol mixture	50 %
Suitable for heating	Yes
Suitable for cooling	Yes

Construction length	88 mm
Article compression class	PN 25
Surface protection	Untreated
Suitable for open system	No
Suitable for closed system	Yes
Suitable for solar	No
With dismountable filter	No
Filter volume	0.32 l
Magnet operating principle	No
With automatic de-aerator	Yes
With couplers	Yes
Inlet/outlet offset distance	0 mm
Material of connection	Brass
Material quality connection	Other
Flow-through capacity	0 - 5 m <sup>3</sup> /h

### Disclaimer

This product sheet has been compiled with the greatest possible care. Nevertheless, it may contain errors or omissions. For the most current and correct information we refer you to our website

