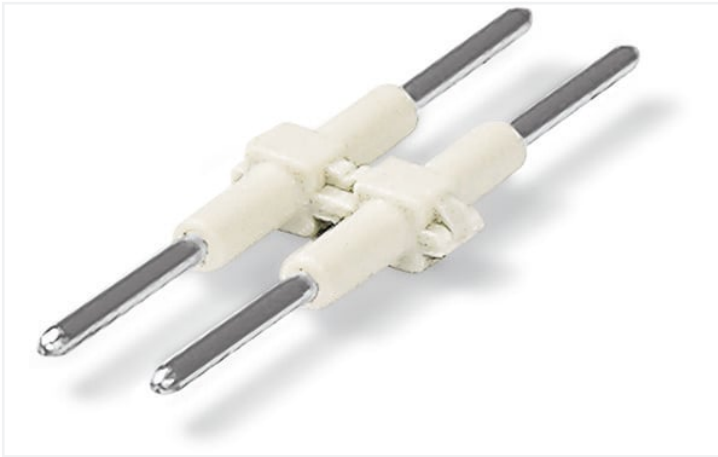


**Data Sheet | Item Number: 2060-952/028-004**

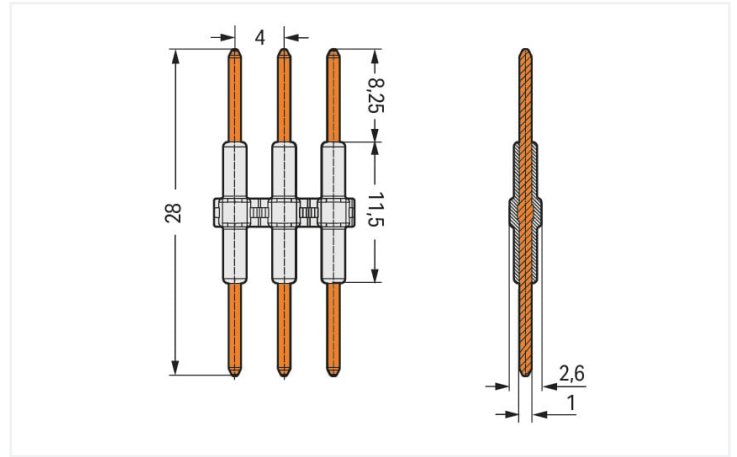
Board-to-Board Link; Pin spacing 4 mm; 2-pole; Length: 28 mm; black

<https://www.wago.com/2060-952/028-004>

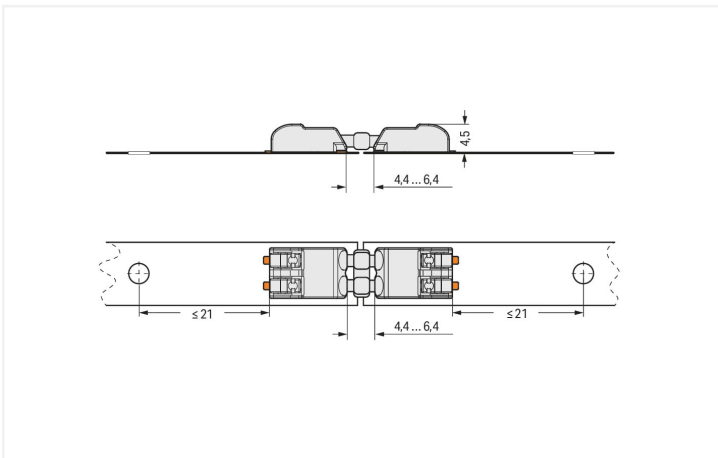


Color: ■ black

Similar to illustration



Dimensions in mm



Dimensions in mm

- Board-to-board links simplify LED module assembly
- Easy push-in connection and disconnection

**Notes**

Safety information

**Notice:** Only suitable for 2060-45x, not for 2060-40x.

**Electrical data**

Ratings per	IEC/EN 60664-1		
Overvoltage category	III	III	II
Pollution degree	3	2	2
Nominal voltage	63 V	160 V	320 V
Rated surge voltage	2.5 kV	2.5 kV	2.5 kV
Rated current	9 A	9 A	9 A

Approvals per	UL 1977
Rated voltage	250 V
Rated current	9 A

### Connection data

Total number of potentials	2	<b>Connection 1</b>	
		Pole number	2

### Physical data

Pin spacing	4 mm / 0.157 inches
Width	7.4 mm / 0.291 inches
Height	2.6 mm / 0.102 inches
Depth	28 mm / 1.102 inches

### Mechanical data

Mating cycles (max.)	10
Number of mating cycles	10 connections/disconnections (max.)
Suitable	for SMD PCB terminal blocks (2060 Series)

### Material data

Note (material data)	<a href="https://www.wago.com/us/material-specifications">Information on material specifications can be found here</a>
Color	black
Material group	I
Insulation material	Polyamide (PA66)
Flammability class per UL94	V0
Contact material	Copper alloy
Contact plating	Silver
Fire load	0 MJ
Weight	0.5 g

### Environmental requirements

Limit temperature range	-60 ... +105 °C
-------------------------	-----------------

### Commercial data

ETIM 8.0	EC002848
ETIM 7.0	EC002848
PU (SPU)	500 pcs
Packaging type	Box
Country of origin	CN
GTIN	4055143959940
Customs tariff number	85369010000

### Environmental Product Compliance

RoHS Compliance Status	Compliant, No Exemption
------------------------	-------------------------

### Downloads

#### Environmental Product Compliance

Compliance Search	
Environmental Product Compliance 2060-952/028-004	<a href="#">↓</a>

### Documentation

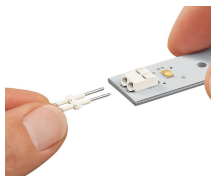
Additional Information			
Technical Section	03.04.2019	pdf 2010.85 KB	<a href="#">↓</a>

### CAD/CAE-Data

CAD data	
2D/3D Models 2060-952/028-004	<a href="#">↓</a>

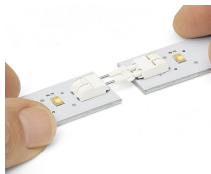
### Installation Notes

#### Installation



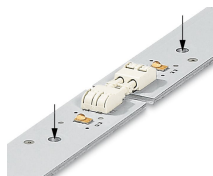
Inserting a board-to-board link into the terminal block.

#### Installation



Assembly: Place PCBs on a flat surface and connect terminal blocks on adjoining PCBs via board-to-board link.  
Disassembly: Pull PCBs apart (max. 10 mating cycles).

## Installation



The PCBs must be secured.