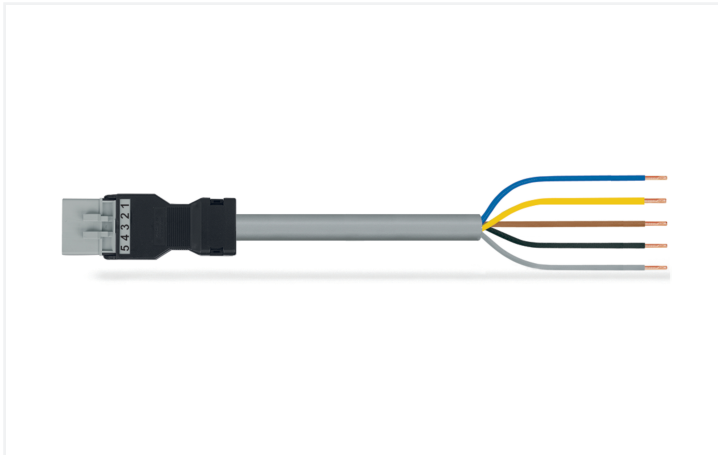


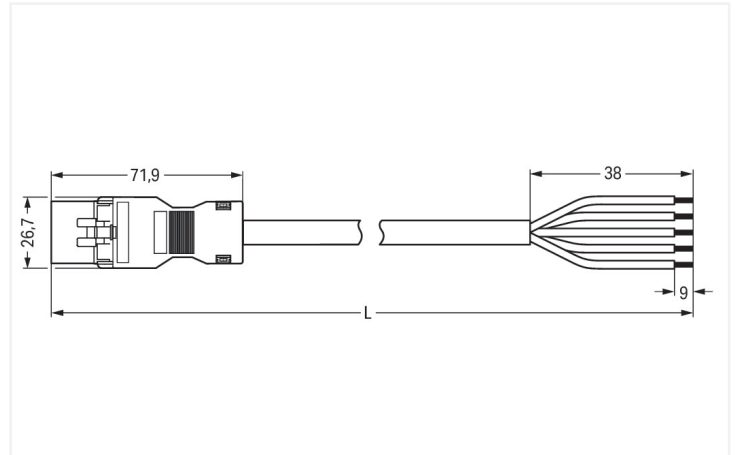
Data Sheet | Item Number: 891-8995/206-803

pre-assembled connecting cable; Eca; Plug/open-ended; 5-pole; Cod. B; (H)05VV-F
5x1,5 mm²; 8 m; 1,50 mm²; gray

<https://www.wago.com/891-8995/206-803>



Color: ■ gray



Dimensions in mm

Cable assembly WINSTA® MINI B coding

The WINSTA® MINI cable assembly rated current 16 A is the pluggable solution for your use in control cabinets, on PCBs or for lighting connections. Whether on PCBs, in control cabinets or for connecting lights – pluggable installation connectors from WAGO allow you to establish connections according to a huge variety of requirements in seconds. The color coding and mechanical coding of the pluggable installation connector ensure error-free installation of the individual components – including protection against mismatching. Pluggable installation connectors with B coding from the WINSTA® MINI line are available in gray, light green, or pink, allowing you to distinguish different circuits, for example for pumps, lighting, or sun blinds. Your own pole marking is possible in addition. Due to its particularly small dimensions, our WINSTA® MINI Pluggable Connection System with Push-in CAGE CLAMP® spring pressure connection technology is specifically suitable in very restricted spaces, i.e., for installations when very little room is available. Building safety must be ensured at all times, even after the electrical installation stage. The required safety requirements in connection with EU CPR are fully satisfied by this product through fire class E.

Fast, error-free assembly thanks to cable assemblies from WAGO

The cable assembly is equipped with a plug and a free end. The WINSTA® Pluggable Connection System allows pluggable electrical installation. This saves time, lowers costs, and reduces the need for servicing. Now you can also lower installation expenses without compromising quality and safety: with protection type IP20 reduces the need for servicing and prevents unnecessary downtime.

- effective protection against mismatching
- consistent IP40 protection
- with B coding for controllers, for example lighting fixtures and sun blinds
- ready for immediate use
- quick replacement of defective units during ongoing operation

Notes

Note

Cables with a different fire class can be found in the eShop.

Variants:

Other pole markings

Other versions (or variants) can be requested from WAGO Sales or configured at <https://configurator.wago.com/>.

Electrical data

| Ratings per | IEC/EN 60664-1 | | | Ratings per IEC/EN – Notes | |
|---------------------------------|----------------|-----|----|----------------------------|-----------------------------------------------------|
| Overvoltage category | III | III | II | Rated current (note) | 13 A for 3-pole load 10 A for 4- and 5-pole load |
| Pollution degree | 3 | 2 | 2 | | |
| Nominal voltage | 400 V | - | - | | |
| Rated impulse withstand voltage | 6 kV | - | - | | |
| Rated current | 16 A | - | - | | |

General information

| | |
|----------------------------|------------------------------------------------------------------------------------------|
| Note on contact resistance | approx. 1 mΩ of contact resistance approx. 0.25 mΩ contact transition plug/ socket |
|----------------------------|------------------------------------------------------------------------------------------|

Connection Data

| | | Connection 1 | |
|----------------------------|---------------------------|---------------------------------|---------------------|
| Total number of potentials | 5 | Strip length | 9 mm / 0.35 inches |
| Conductor preparation | ultrasonically tip-bonded | Pole number | 5 |
| | | Wire cross-section | 1.5 mm ² |
| | | Strip length (outer insulation) | 38 mm |
| | | Connection type | Plug - free end |

Physical data

| | |
|--------------|------------------------|
| Pin spacing | 4.4 mm / 0.173 inches |
| Width | 26.7 mm / 1.051 inches |
| Height | 15.8 mm / 0.622 inches |
| Total length | 8 m |

Mechanical data

| | |
|-----------------------------------------|---------------------------------------------------------------|
| Use | Control technology |
| Coding | B |
| Variable coding | No |
| Marking | 1 2 3 4 5 |
| Potential marking | 1 2 3 4 5 |
| Mating force of a plug-in connection | approx. 20 ... 70 N (depending on pole number) |
| Retention force of a plug-in connection | when locked: > 80N |
| Unmating force of a plug-in connection | when unlocked: approx. 20 ... 70 N (depending on pole number) |
| Number of mating cycles | 200, without resistive load |
| Connection type | Plug - free end |
| Type of pre-assembled cable | Connecting cable |
| Cable type | H05VV-F 5x1.5 |
| Protection type | IP20; IP40 when mated |

Plug-in connection

| | |
|-------------------------------|------------------------------------------------------------------------------------------------------------------------------------------------------------------------------------------------------------------------------------------------------------------------------------------------------------------|
| Mismating protection | Yes |
| Note on mismating protection | All WINSTA® components are 100% protected against mismating when: a.) plugging different numbers of poles b.) plugging while rotated 180 c.) plugging while laterally staggered d.) plugging one pole |
| Locking lever | Can be retrofitted |
| Locking of plug-in connection | Locking lever |
| Note on locking system | All connectors for mounted installations (snap-in versions for lighting fixtures or devices, all types of PCB and distribution connectors) are factory-equipped with locking levers to ensure plugs and sockets are securely locked. Additional locking levers are only required for flying leads (plug/socket). |

Material data

| | |
|------------------------------------|--------------------------------------------------------------------------|
| Note (material data) | Information on material specifications can be found here |
| Color | gray |
| Insulation material (main housing) | Polyamide (PA66) |
| Fire class per EN 50575 | E _{ca} |
| Contact material | Copper or copper alloy; surface-treated |
| Contact Plating | Tin |
| Fire load | 0.307 MJ |
| Connector color | gray |
| Strain relief color | black |
| Sheathed cable color | gray |
| Printing color of sheathed cable | black |
| Halogen-free | No |
| Silicon-free | Yes |
| Sheath material | PVC |
| Rubber cable | No |
| Weight | 1324.2 g |
| Copper weight of the raw cable | 0.072 kg/m |

Environmental requirements

| | |
|------------------------------------------|-------------------------------------------------------------------------------------------------------|
| Processing temperature | -5 ... +40 °C |
| Continuous operating temperature | -35 ... +85 °C |
| Note on continuous operating temperature | Cable for temperatures ≤ 70 °C (including halogen-free) Insulating parts for temperatures ≤ 105 °C |

Commercial data

| | |
|-----------------------|---------------|
| PU (SPU) | 1 pcs |
| Packaging type | unpacked |
| Country of origin | PL |
| GTIN | 4055143520232 |
| Customs tariff number | 85444290900 |

Product Classification

| | |
|-------------|----------------------|
| UNSPSC | 26121629 |
| eCl@ss 10.0 | 27-44-06-04 |
| eCl@ss 9.0 | 27-44-06-04 |
| ETIM 9.0 | EC002587 |
| ETIM 10.0 | EC002587 |
| ECCN | NO US CLASSIFICATION |

Environmental Product Compliance

| | |
|------------------------|-------------------------|
| RoHS Compliance Status | Compliant, No Exemption |
|------------------------|-------------------------|

Downloads

Environmental Product Compliance

Compliance Search

| | |
|------------------------------------------------------|-------------------|
| Environmental Product Compliance 891-8995/206-803 | ↓ |
|------------------------------------------------------|-------------------|

Documentation

Bid Text

| | | | |
|------------------|------------|-----------------|-------------------|
| 891-8995/206-803 | 19.02.2019 | xml 3.00 KB | ↓ |
| 891-8995/206-803 | 12.03.2015 | doc 25.50 KB | ↓ |

CAD/CAE-Data

CAE data

| | |
|---------------------------------------|-------------------|
| EPLAN Data Portal 891-8995/206-803 | ↓ |
|---------------------------------------|-------------------|

1 Compatible Products

1.1 Required Accessories

1.1.1 Locking system

1.1.1.1 Locking system



Item No.: 890-111
Locking lever; for flying leads; for tool operation; black



Item No.: 890-131
Locking lever; for flying leads; for tool operation; white



Item No.: 890-101
Locking lever; for manual operation; black



Item No.: 890-121
Locking lever; for manual operation; white

1.2 Optional Accessories

1.2.1 Cover

1.2.1.1 Cover



Item No.: 897-2003

Protective cap; Type2; for sockets and plugs; PVC; red

1.2.2 Installation

1.2.2.1 Mounting accessories



Item No.: 890-310

Mounting carrier; 2- to 5-pole; for flying leads; black



Item No.: 890-311

Mounting carrier; 2- to 5-pole; for flying leads; white