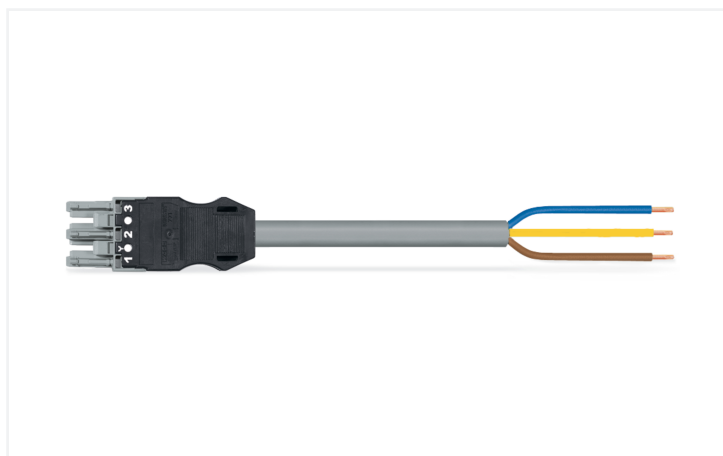


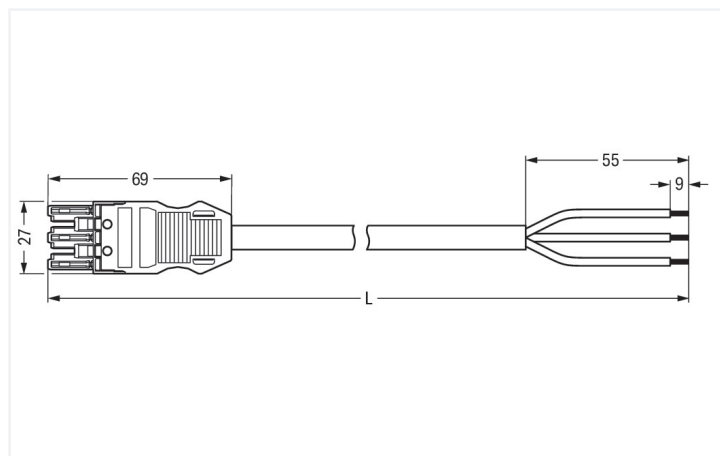
## Data Sheet | Item Number: 771-9993/105-703

pre-assembled connecting cable; Eca; Socket/open-ended; 3-pole; Cod. B; H05VV-F 3 x 1.0 mm<sup>2</sup>; 7 m; 1,00 mm<sup>2</sup>; gray

<https://www.wago.com/771-9993/105-703>



Color: ■ gray



Dimensions in mm

### Cable assembly WINSTA® MIDI with strain relief

The WINSTA® MIDI cable assembly with protection type IP20 allows assembly of solid and fine-stranded conductors. WAGO pluggable installation connectors can be used when specifications repeat or are distributed on a defined pattern, for example for installing grid lighting or flush-mount lighting. For greater security in electrical installations, the pluggable installation connector is equipped with mechanical protection against mismatching. The pluggable installation connector is protected in accordance with protection type IP20 (When mated: IP2xC (These compact connectors are not designed for use in open, easily accessible areas!)). This means that users' fingers will never come into contact with electrified elements. Pluggable installation connectors with B coding from the WINSTA® MIDI line are available in gray, light green, or pink, allowing you to distinguish different circuits, for example for light, pumps or, sun blinds. Usage-specific pole marking is possible, too. WINSTA® MIDI with Push-in CAGE CLAMP® spring pressure connection technology is used in can be found in a variety of projects you can use for quick, easy and maximally flexible installation. This product meets all the relevant fire protection requirements of fire class E; therefore it can be used in domains where fire safety is relevant.

### Fast, error-free assembly thanks to cable assemblies from WAGO

The cable is pre-assembled with a socket and a free end. The WINSTA® Pluggable Connection System allows pluggable electrical installation. This significantly reduces the need for servicing and lowers costs. Take advantage of the pluggable version of our maintenance-free spring pressure connection technology too! Plan your installation with with marking from WAGO.

- pluggable installation connectors with protection against mismatching
- for automation controllers
- with B coding for use in automation of processes, such as lighting technology, among other examples
- exact dimensions
- convenient installation and commissioning

### Notes

#### Note

Variants:

Cables with a different fire class can be found in the eShop.

Other pole markings

Other versions (or variants) can be requested from WAGO Sales or configured at <https://configurator.wago.com/>.

## Electrical data

| Ratings per                     | IEC/EN 60664-1 |     |    |
|---------------------------------|----------------|-----|----|
| Overvoltage category            | III            | III | II |
| Pollution degree                | 3              | 2   | 2  |
| Nominal voltage                 | 250 V          | -   | -  |
| Rated impulse withstand voltage | 4 kV           | -   | -  |
| Rated current                   | 10 A           | -   | -  |

## General information

|                            |  |
|----------------------------|--|
| Note on contact resistance | approx. 1 mΩ of contact resistance<br>approx. 0.25 mΩ contact transition plug/<br>socket |
|----------------------------|--|

## Connection Data

|                            |                           |
|----------------------------|---------------------------|
| Total number of potentials | 3                         |
| Conductor preparation      | ultrasonically tip-bonded |

## Connection 1

|                                 |                    |
|---------------------------------|--------------------|
| Strip length                    | 9 mm / 0.35 inches |
| Pole number                     | 3                  |
| Wire cross-section              | 1 mm <sup>2</sup>  |
| Strip length (outer insulation) | 55 mm              |
| Connection type                 | Socket - free end  |

## Physical data

|              |                        |
|--------------|------------------------|
| Pin spacing  | 10 mm / 0.394 inches   |
| Width        | 27 mm / 1.063 inches   |
| Height       | 12.9 mm / 0.508 inches |
| Total length | 7 m                    |

## Mechanical data

|   |   |
|---|---|
| Use                                     | Control technology  |
| Coding                                  | B   |
| Variable coding                         | Yes   |
| Marking                                 | 1 2 3   |
| Potential marking                       | 1 2 3   |
| Mating force of a plug-in connection    | approx. 20 ... 70 N (depending on pole number)  |
| Retention force of a plug-in connection | when locked: > 80N  |
| Unmating force of a plug-in connection  | when unlocked: approx. 20 ... 70 N (depending on pole number)   |
| Number of mating cycles                 | 200, without resistive load   |
| Connection type                         | Socket - free end   |
| Type of pre-assembled cable             | Connecting cable  |
| Cable type                              | H05VV-F 3x1   |
| Protection type                         | IP20; When mated: IP2xC (These compact connectors are not designed for use in open, easily accessible areas!) |

## Plug-in connection

|                               |  |
|-------------------------------|--|
| Mismating protection          | Yes  |
| Note on mismating protection  | All <i>WINSTA</i> ® components are 100% protected against mismating when:<br>a.) plugging different numbers of poles<br>b.) plugging while rotated 180<br>c.) plugging while laterally staggered<br>d.) plugging one pole  |
| Locking lever                 | Can be retrofitted   |
| Locking of plug-in connection | Locking lever  |
| Note on locking system        | All connectors for mounted installations (snap-in versions for lighting fixtures or devices, all types of PCB and distribution connectors) are factory-equipped with locking levers to ensure plugs and sockets are securely locked. Additional locking levers are only required for flying leads (plug/socket). |

### Material data

|                                    |  |
|------------------------------------|--|
| Note (material data)               | <a href="#">Information on material specifications can be found here</a> |
| Color                              | gray   |
| Insulation material (main housing) | Polyamide (PA66)   |
| Fire class per EN 50575            | E <sub>ca</sub>  |
| Contact material                   | Copper or copper alloy; surface-treated                                  |
| Contact Plating                    | Tin  |
| Fire load                          | 0.297 MJ   |
| Connector color                    | gray   |
| Strain relief color                | black  |
| Printing color of strain relief    | white  |
| Sheathed cable color               | gray   |
| Printing color of sheathed cable   | black  |
| Halogen-free                       | No   |
| Silicon-free                       | Yes  |
| Sheath material                    | PVC  |
| Rubber cable                       | No   |
| Weight                             | 521.4 g  |
| Copper weight of the raw cable     | 0.029 kg/m   |

### Environmental requirements

|  |   |
|--|---|
| Processing temperature                   | -5 ... +40 °C   |
| Continuous operating temperature         | -35 ... +85 °C  |
| Note on continuous operating temperature | Cable for temperatures ≤ 70 °C (including halogen-free)<br>Insulating parts for temperatures ≤ 105 °C |

### Commercial data

|                       |               |
|-----------------------|---------------|
| PU (SPU)              | 1 pcs         |
| Packaging type        | unpacked      |
| Country of origin     | DE            |
| GTIN                  | 4055143508315 |
| Customs tariff number | 85444290900   |

### Product Classification

|             |                      |
|-------------|----------------------|
| UNSPSC      | 26121629             |
| eCl@ss 10.0 | 27-44-06-04          |
| eCl@ss 9.0  | 27-44-06-04          |
| ETIM 9.0    | EC002587             |
| ETIM 10.0   | EC002587             |
| ECCN        | NO US CLASSIFICATION |

### Environmental Product Compliance

|                        |                         |
|------------------------|-------------------------|
| RoHS Compliance Status | Compliant, No Exemption |
|------------------------|-------------------------|

Downloads

Environmental Product Compliance

Compliance Search

Environmental Product Compliance  
771-9993/105-703



Documentation

Bid Text

|                  |            |                 |  |
|------------------|------------|-----------------|--|
| 771-9993/105-703 | 19.02.2019 | xml<br>2.99 KB  |  |
| 771-9993/105-703 | 02.06.2015 | doc<br>27.50 KB |  |

CAD/CAE-Data

CAE data

EPLAN Data Portal  
771-9993/105-703



1 Compatible Products

1.1 Required Accessories

1.1.1 Locking system

1.1.1.1 Locking system



[Item No.: 770-101](#)

Locking lever; for flying leads; for manual operation; black

[Item No.: 770-121](#)

Locking lever; for flying leads; for manual operation; white

[Item No.: 770-111](#)

Locking lever; for flying leads; for tool operation; black

[Item No.: 770-131](#)

Locking lever; for flying leads; for tool operation; white

1.2 Optional Accessories

1.2.1 Cover

1.2.1.1 Cover



[Item No.: 770-201](#)

Lockout cap; 12-pole, separable; for sockets; Plastic; black

[Item No.: 770-221](#)

Lockout cap; 12-pole, separable; for sockets; Plastic; white

[Item No.: 897-2003](#)

Protective cap; Type2; for sockets and plugs; PVC; red

## 1.2.2 Installation

### 1.2.2.1 Mounting accessories



**Item No.: 770-310**

Mounting carrier; 2- to 5-pole; for flying leads; black

## 1.2.3 Marking

### 1.2.3.1 Marker



**Item No.: 770-450/000-006**

Marker card; Plastic; blue



**Item No.: 770-450/000-001**

Marker card; Plastic; green



**Item No.: 770-450/000-012**

Marker card; Plastic; orange



**Item No.: 770-450/000-005**

Marker card; Plastic; red



**Item No.: 770-450**

Marker card; Plastic; white



**Item No.: 770-450/000-002**

Marker card; Plastic; yellow

### 1.2.3.2 Marking strip



**Item No.: 210-334**

Marking strips; as a DIN A4 sheet; Strip width 5 mm; Strip length 182 mm; plain; Self-adhesive; white