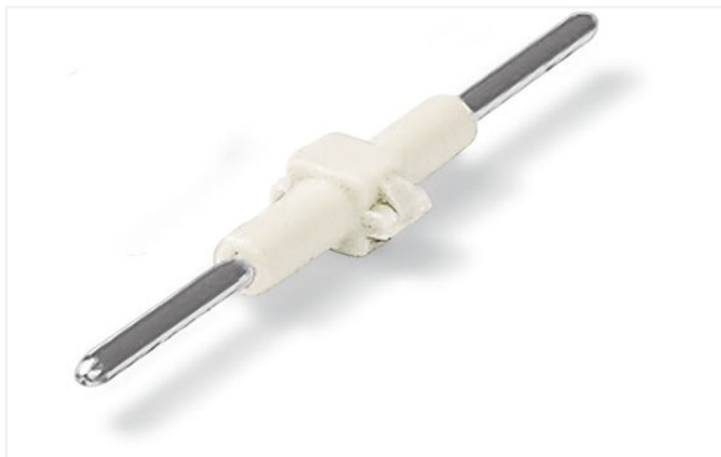


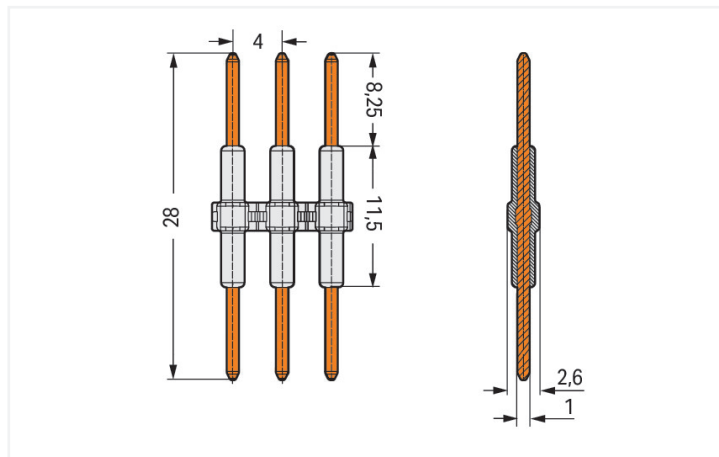
# Data Sheet | Item Number: 2060-951/028-000

Board-to-Board Link; Pin spacing 4 mm; 1-pole; Length: 28 mm; white

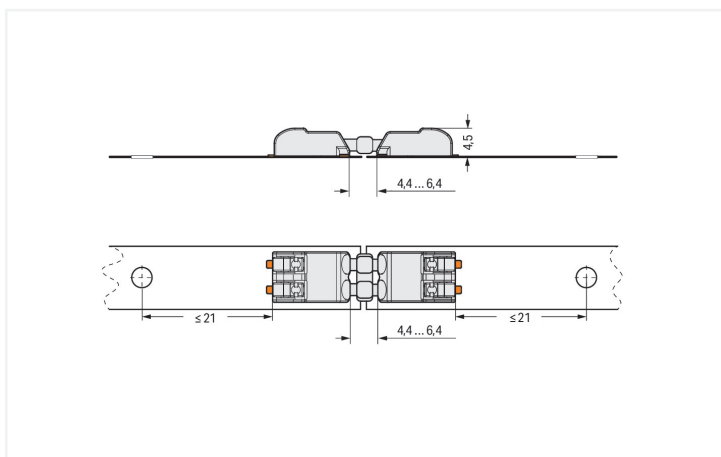
<https://www.wago.com/2060-951/028-000>



Color: ■ white



Dimensions in mm



Dimensions in mm

- Board-to-board links simplify LED module assembly
- Easy push-in connection and disconnection

## Notes

Safety information

**Notice:** Only suitable for 2060-45x, not for 2060-40x.

## Electrical data

Ratings per	IEC/EN 60664-1		
Overvoltage category	III	III	II
Pollution degree	3	2	2
Nominal voltage	63 V	160 V	320 V
Rated surge voltage	2.5 kV	2.5 kV	2.5 kV
Rated current	9 A	9 A	9 A

Approvals per	UL 1977
Rated voltage	250 V
Rated current	9 A

### Connection data

Total number of potentials	1	<b>Connection 1</b>	
		Pole number	1

### Physical data

Pin spacing	4 mm / 0.157 inches
Width	3.4 mm / 0.134 inches
Height	2.6 mm / 0.102 inches
Depth	28 mm / 1.102 inches

### Mechanical data

Mating cycles (max.)	10
Number of mating cycles	10 connections/disconnections (max.)
Suitable	for SMD PCB terminal blocks (2060 Series)

### Material data

Note (material data)	<a href="https://www.wago.com/us/material-specifications">Information on material specifications can be found here</a>
Color	white
Material group	I
Insulation material	Polyamide (PA66)
Flammability class per UL94	V0
Contact material	Copper alloy
Contact plating	Silver
Fire load	0.001 MJ
Weight	0.2 g

### Environmental requirements

Limit temperature range	-60 ... +105 °C
-------------------------	-----------------

### Commercial data

eCl@ss 10.0	27-14-11-92
eCl@ss 9.0	27-14-11-92
ETIM 8.0	EC002848
ETIM 7.0	EC002848
PU (SPU)	1500 pcs
Packaging type	Box
Country of origin	CN
GTIN	4055143303880
Customs tariff number	85369010000

**Environmental Product Compliance**

RoHS Compliance Status	Compliant, No Exemption
------------------------	-------------------------

**Approvals / Certificates**

**General approvals** **Declarations of conformity and manufacturer's declarations**



Approval	Standard	Certificate Name
CCA DEKRA Certification B.V.	EN 60947	NTR NL-7724
CCA DEKRA Certification B.V.	EN 60998	NTR NL 7725/M1
CCA DEKRA Certification B.V.	EN 60838	NTR NL 2168246
CCA DEKRA Certification B.V.	EN 60947-7-4	NTR NL 7843
cURus Underwriters Laboratories Inc.	UL 1977	E45171
KEMA/KEUR DEKRA Certification B.V.	EN 60838	2168246.01
KEMA/KEUR DEKRA Certification B.V.	EN 60947	71-108183
KEMA/KEUR DEKRA Certification B.V.	EN 60998	71-109040
KEMA/KEUR DEKRA Certification B.V.	EN 60947-7-4	71-114208
UL Underwriters Laboratories Inc.	UL 1059	E45172

Approval	Standard	Certificate Name
EU-Declaration of Confor- mity WAGO GmbH & Co. KG	-	-
UK-Declaration of Confor- mity WAGO GmbH & Co. KG	-	-

**Downloads**

**Environmental Product Compliance**

Compliance Search	
Environmental Product Compliance 2060-951/028-000	↓

**Documentation**

Additional Information			
Technical Section	03.04.2019	pdf 2010.85 KB	↓

### CAD/CAE-Data

#### CAD data

2D/3D Models  
2060-951/028-000



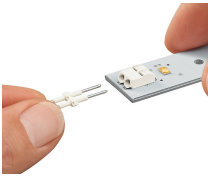
#### CAE data

ZUKEN Portal  
2060-951/028-000



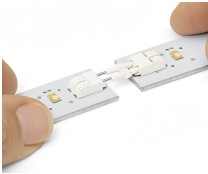
### Installation Notes

#### Installation



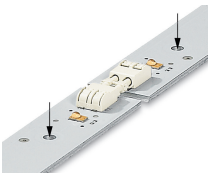
Inserting a board-to-board link into the terminal block.

#### Installation



Assembly: Place PCBs on a flat surface and connect terminal blocks on adjoining PCBs via board-to-board link.  
Disassembly: Pull PCBs apart (max. 10 mating cycles).

#### Installation



The PCBs must be secured.