

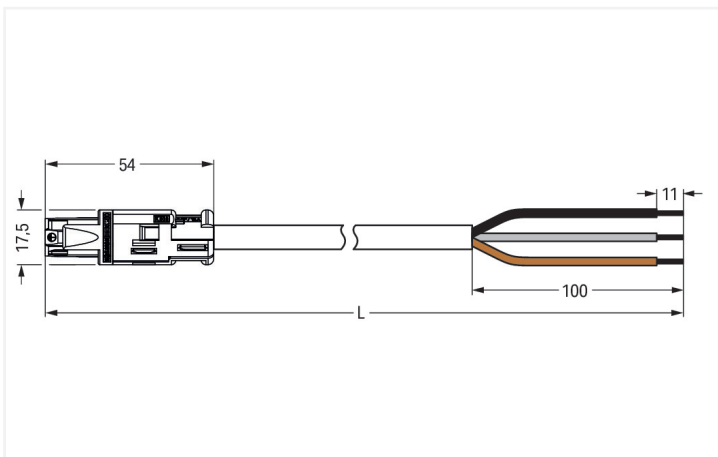
**Data Sheet | Item Number: 774-9973/116-805**

pre-assembled connecting cable; Eca; Socket/open-ended; 3-pole; Cod. S;  
H05Z1Z1-F 3x1,5 mm<sup>2</sup>; 8 m; 1,50 mm<sup>2</sup>; brown

<https://www.wago.com/774-9973/116-805>



Color: ■ brown



Dimensions in mm

**Cable assembly WINSTA® RD with protection against mismatching**

The WINSTA® RD cable assembly with locking latch allows assembly of solid and fine-stranded conductors. WAGO pluggable installation connectors are useful when specifications repeat or are distributed on a specific pattern, for example for installing grid lighting or flush-mount lighting. The color coding and mechanical coding of the pluggable installation connector ensure error-free installation of the individual components – including protection

against mismatching. The pluggable installation connector offers touch-proof protection with live components in accordance with protection type IP20 (When mated: IP2xC (These compact connectors are not designed for use in open, easily accessible areas!)). WINSTA® RD: Solutions from this product line are suitable for drill holes and conduits with diameters up to 20 mm. This product meets all the relevant safety requirements of fire class E; thus it can be used in areas where fire safety is relevant. In the production of this cable assembly, we eliminated the use of halogen. That is an important contribution to climate protection.

Fast, error-free assembly thanks to cable assemblies from WAGO

The cable assembly is provided with a socket and a free end. WINSTA® is the pluggable connection system that is ideally tailored to the strict requirements of electrical installation. It allows fast, secure and, above all, error-free installation of components and cables. Now you can also reduce installation costs without compromising safety and quality: with strain relief hosting eliminates the need for servicing and prevents unnecessary downtime.

- pluggable installation connectors with protection against mismatching
- saves time, since no wiring is required at the construction site
- with S coding for use in components such as motors or frequency converters
- flexible installation to save space
- quick replacement of defective units during ongoing operation

## Notes

Note Cables with a different fire class can be found in the eShop.

## Electrical data

Ratings per	IEC/EN 60664-1		
Overvoltage category	III	III	II
Pollution degree	3	2	2
Nominal voltage	250 V	-	-
Rated impulse withstand voltage	4 kV	-	-
Rated current	16 A	-	-

## General information

Note on contact resistance approx. 1 mΩ of contact resistance  
approx. 0.25 mΩ contact transition plug/socket

## Connection Data

Total number of potentials	3
Conductor preparation	ultrasonically tip-bonded

## Connection 1

Strip length	11 mm / 0.43 inches
Pole number	3
Wire cross-section	1.5 mm <sup>2</sup>
Strip length (outer insulation)	100 mm
Connection type	Socket - free end

## Physical data

Width	17.5 mm / 0.689 inches
Height	17.5 mm / 0.689 inches
Total length	8 m

## Mechanical data

Use	Switching function
Coding	S
Variable coding	No
Marking	1 2 L
Mating force of a plug-in connection	Approx. 30 ... 70 N (depending on pole number)
Retention force of a plug-in connection	when locked: > 80N
Unmating force of a plug-in connection	Unlocked: approx. 30 ... 70 N (depending on pole number)
Number of mating cycles	200, without resistive load
Connection type	Socket - free end
Type of pre-assembled cable	Connecting cable

### Mechanical data

Cable type	H05Z1Z1-F 3x1.5
Protection type	IP20; When mated: IP2xC (These compact connectors are not designed for use in open, easily accessible areas!)

### Plug-in connection

Mismating protection	Yes
Note on mismating protection	All WINSTA® components are 100% protected against mismating when: a.) plugging different numbers of poles b.) plugging while incorrectly rotated c.) plugging while laterally staggered
Locking lever	Yes
Locking of plug-in connection	Locking lever

### Material data

Note (material data)	<a href="#">Information on material specifications can be found here</a>
Color	brown
Insulation material (main housing)	Polyamide (PA66)
Fire class per EN 50575	E <sub>ca</sub>
Contact material	Copper or copper alloy; surface-treated
Contact Plating	Tin
Fire load	239.354 MJ
Connector color	brown
Strain relief color	black
Sheathed cable color	black
Printing color of sheathed cable	white
Halogen-free	Yes
Silicon-free	Yes
Sheath material	Halogen-free
Rubber cable	No
Weight	785 g
Copper weight of the raw cable	0.043 kg/m

### Environmental requirements

Processing temperature	-5 ... +40 °C
Continuous operating temperature	-35 ... +85 °C
Note on continuous operating temperature	Cable for temperatures ≤ 70 °C (including halogen-free) Insulating parts for temperatures ≤ 105 °C

### Commercial data

PU (SPU)	1 pcs
Packaging type	unpacked
Country of origin	DE
GTIN	4055143522649
Customs tariff number	85444290900

**Product Classification**

UNSPSC	26121629
eCl@ss 10.0	27-44-06-04
eCl@ss 9.0	27-44-06-04
ETIM 9.0	EC002587
ETIM 10.0	EC002587
ECCN	NO US CLASSIFICATION

**Environmental Product Compliance**

RoHS Compliance Status	Compliant, No Exemption
------------------------	-------------------------

**Approvals / Certificates**

**General approvals**      **Declarations of conformity and manufacturer's declarations**



Approval	Standard	Certificate Name
CCA DEKRA Certification B.V.	EN 61535	NTR NL-7969
CCA DEKRA Certification B.V.	EN 61984	NTR NL-7848
KEMA/KEUR DEKRA Certification B.V.	EN 61535	71-123229
KEMA/KEUR DEKRA Certification B.V.	EN 61984	71-114944

Approval	Standard	Certificate Name
EU-Declaration of Confor- mity WAGO GmbH & Co. KG	-	-
UK-Declaration of Confor- mity WAGO GmbH & Co. KG	-	-

**Downloads**

**Environmental Product Compliance**

**Compliance Search**



Environmental Product Compliance 774-9973/116-805	↓
--	---

**Documentation**

**Bid Text**

774-9973/116-805	19.02.2019	xml 3.05 KB	↓
774-9973/116-805	19.02.2015	doc 24.00 KB	↓

CAD/CAE-Data

CAD data	CAE data
2D/3D Models 774-9973/116-805 	WSCAD Universe 774-9973/116-805 
	ZUKEN Portal 774-9973/116-805 