

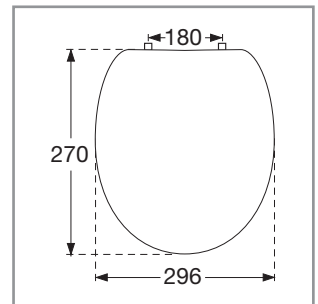
## Urinal lid O.novo

### Model

8847 61 O.novo urinal lid, incl. 9220 50 61 urinal hinge

### Product Description

O.novo urinal lid in Sandwich design made of colour ingrained duroplast with hinge in stainless steel and plastic  
 – incl. urinal hinge in stainless steel  
 – centre distance: 180 mm  
 – 10 year guarantee

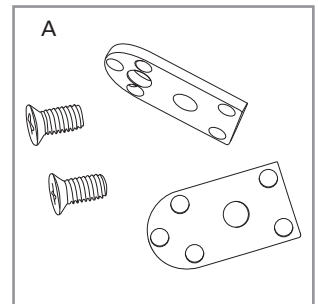


### Colour Programme

01 White (Alpin)  
 09 Pergamon

### Hinge Finish

61 Stainless steel

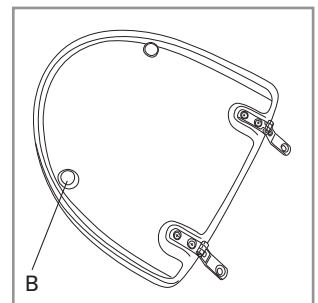


### Spare Parts

A) 9220 50 61 Urinal hinge  
 B) 9220 95 00 Buffers for lid

### Cleaning Instructions

Use a mild soap solution. Lid and hinge should not be left damp, but be dried with a soft cloth. When using abrasive, corrosive or chlorine based cleaners for the bowl, avoid contact with lid and hinge as it may lead to damages or flash rust. Therefore, when cleaning the bowl, make sure that lid is in an upright position until all the cleaner has been flushed away

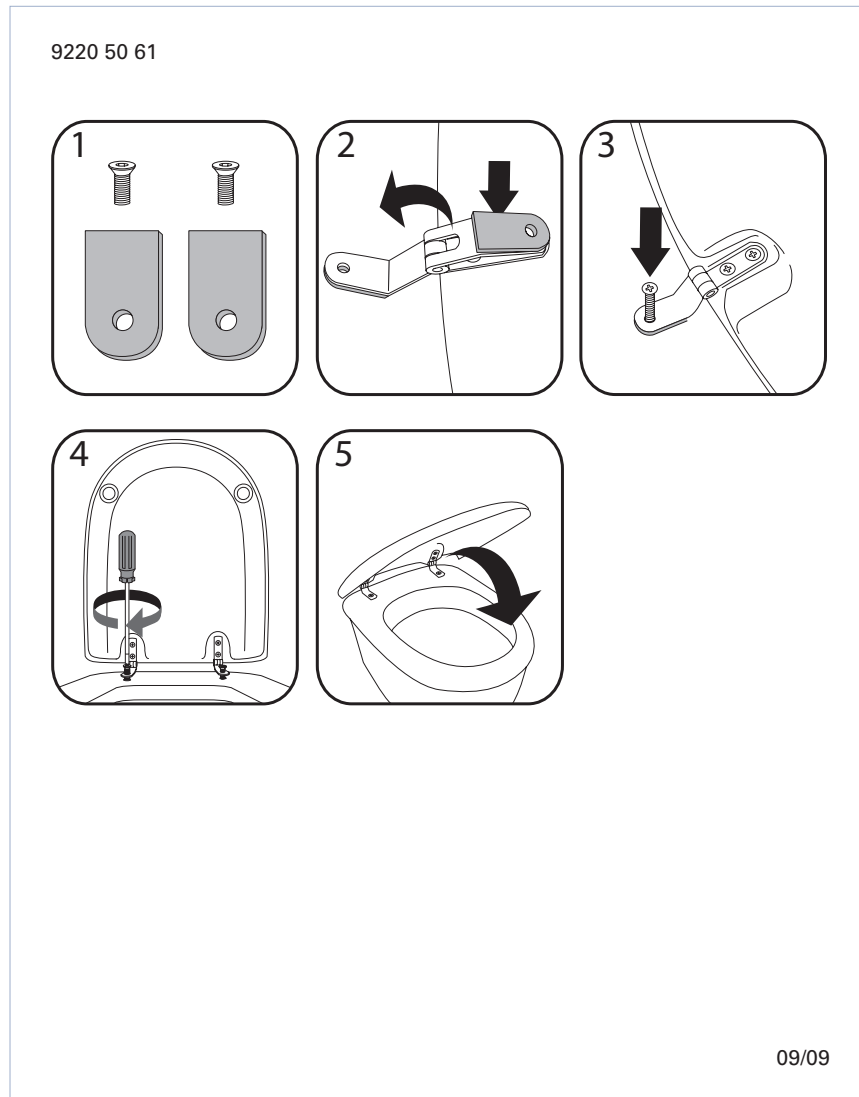


Villeroy & Boch

1748

# Urinal lid O.novo

## Instruction manual



## Material Description

**URINAL LID:** The material is colour ingrained duroplast (UF A 10 = urea formaldehyde) that contains no environmentally hazardous substances. UF plastic comprises 67% urea formaldehyde resin, 28% cellulose, as well as 5% minerals, pigments, lubricants and moisture content. The raw material from the supplier contains less than 0,03% formaldehyde after a special curing process.

**BUFFERS:** EVA (copolymer made of ethylene and vinyl acetate).

**MOUNT/HINGE:** Stainless steel.

## Guarantee

The guarantee includes faults or defects in the material of our products within a periode of 10 years. Products subject to minor technical modifications and design deviations E. & O.E.