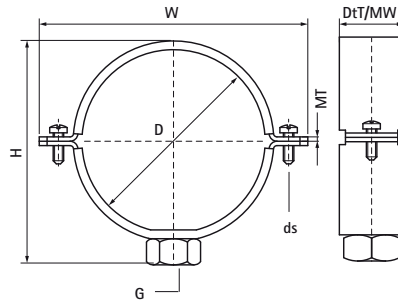


Walraven 434 Clamp (1") (zp)

(B3527)

for PE-pipe



Features & benefits

- two-screw clamp
- as guiding clamp for PE-Pipe
- for rigid fixing point fastening it is necessary to use metal clamp liners (Part No. 4337XXX)
- screws secured with anti-loss washer
- material: steel
- zinc plated



Product Number	Outside Pipe Diameter	DN	Connection Thread	Total Width x Total Height x Total Depth	Material Width x Material Thickness	Screw Size	Approvals	Maximum Allowed Load Faz
<i>Reference letter</i>	<i>D</i>	<i>D</i>	<i>G</i>	<i>W x H x DtT</i>	<i>MW x MT</i>	<i>ds</i>		<i>Fa,z</i>
<i>Unit description</i>	<i>mm</i>			<i>mm x mm x mm</i>	<i>mm x mm</i>			<i>N</i>
4383161	161	DN 150	G1"	237 x 187 x 38	30 x 3	M8	ITB (KOT)	1,100
4383200	200	DN 200	G1"	278 x 230 x 38	38 x 4	M8	ITB (KOT)	6,200
4383225	225	-	G1"	303 x 254 x 38	38 x 4	M8	ITB (KOT)	6,200
4383250	250	DN 250	G1"	325 x 280 x 38	38 x 4	M8	ITB (KOT)	6,200
4383315	315	DN 300	G1"	393 x 345 x 38	38 x 4	M8	ITB (KOT)	6,200