

Product data sheet Spirotech

Product name

SpiroVent -DN125 -Weld

Product properties

A steel (microbubble) deaerator for standard flow rate (1.5 m/s) with a DN50 - DN150 weld connection

- Removes all circulating air and microbubbles effectively
- Removes trapped air when installed at the correct location
- Greatly reduces the need for manual venting
- Applicable with 50/50 Glycol / Water (Volume)
- Constant low-pressure drop
- No unnecessary shutdown
- Weld connections
- Connection diameters from DN50 to DN150, larger diameters available on request
- Exceptional guarantee

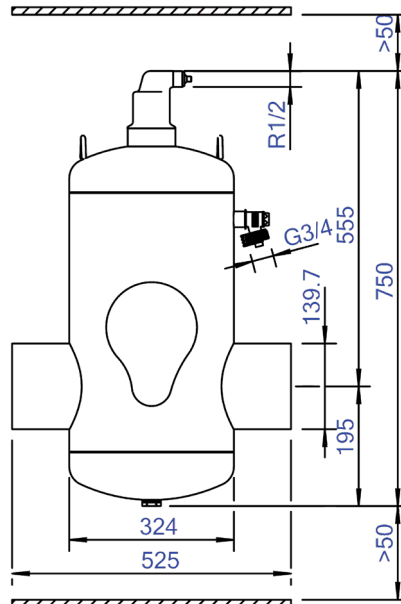
Article number

BA125L

Product image



Product dimensions



Product data sheet Spirotech

ETIM product data

| | |
|---|----------------|
| Housing material | Steel |
| With drain valve | No |
| Housing material quality | St 37 (1.0254) |
| Backwash filter | No |
| Medium temperature (continuous) | 0 - 110 °C |
| Max. operating pressure | 10 bar |
| KVS value [m ³ /h] at ΔP 1 bar | 350.7 |
| Variable flow direction | Yes |
| With insulation | No |
| Separator type | Air |
| Connection | Welded end |
| Model | Horizontal |
| Nominal diameter | DN 125 |
| Max. glycol mixture | 50 % |
| Suitable for heating | Yes |
| Suitable for cooling | Yes |

| | |
|------------------------------|--------------------------|
| Construction length | 525 mm |
| Article compression class | PN 10 |
| Surface protection | Lacquered |
| Suitable for open system | No |
| Suitable for closed system | Yes |
| Suitable for solar | No |
| With dismountable filter | No |
| Filter volume | 50 l |
| Magnet operating principle | No |
| With automatic de-aerator | Yes |
| With couplers | No |
| Inlet/outlet offset distance | 0 mm |
| Material of connection | Steel |
| Flow-through capacity | 0 - 72 m ³ /h |
| Flange standard | Other |

Disclaimer

This product sheet has been compiled with the greatest possible care. Nevertheless, it may contain errors or omissions. For the most current and correct information we refer you to our website

