

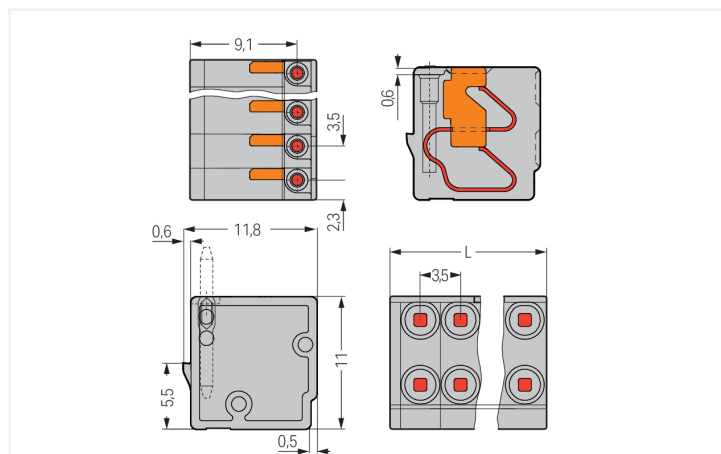
Data Sheet | Item Number: 252-306

2-conductor female connector; push-button; PUSH WIRE®; 0.8 mm Ø; Pin spacing 3.5 mm; 6-pole; for individual solder pins; for KNX; 0,50 mm²; gray

<https://www.wago.com/252-306>



Color: ■ gray



Dimensions in mm
L = pole no. x pin spacing

Pluggable pcb terminal block, 252 Series, PUSH WIRE®

Pluggable pcb terminal block (item number 252-306) simplifies electrical installations. Ensure that the strip lengths are between 6 and 7 mm when connecting conductors to pluggable pcb terminal block. This product incorporates one conductor terminal and utilizes PUSH WIRE®. Our PUSH WIRE® connection offers a simple and reliable solution for connecting solid conductors. The item's dimensions are (21 x 11 x 11.8) mm (width x height x depth). Pluggable pcb terminal block is suitable for conductor cross sections ranging from 0.14 mm² to 0.5 mm².

The contact surface is coated with tin.

Notes

Variants:

Other pole numbers
Direct marking
Other versions (or variants) can be requested from WAGO Sales or configured at <https://configurator.wago.com/>.

Electrical data

Ratings per	IEC/EN 60664-1		
Overvoltage category	III	III	II
Pollution degree	3	2	2
Nominal voltage	160 V	160 V	320 V
Rated impulse withstand voltage	2.5 kV	2.5 kV	2.5 kV
Rated current	2 A	2 A	2 A

Approvals per	UL 1059		
Use group	B	C	D
Rated voltage	300 V	-	300 V
Rated current	2 A	-	2 A

Connection data

Total number of potentials	6	Connection 1	
Number of connection types	1	Connection technology	PUSH WIRE®
Number of levels	1	Actuation type	Push-button
		Solid conductor	0.14 ... 0.5 mm ² / 26 ... 20 AWG
		Conductor diameter	0.4 ... 0.8 mm / 26 ... 20 AWG
		Strip length	6 ... 7 mm / 0.24 ... 0.28 inches
		Conductor connection direction to PCB	0°
		Pole number	6

Physical data

Pin spacing	3.5 mm / 0.138 inches
Width	21.0 mm / 0.827 inches
Height	11 mm / 0.433 inches
Depth	11.8 mm / 0.465 inches

Plug-in connection

Contact type (pluggable connector)	Female connector/socket
Connector (connection type)	for PCB
Plugging without loss of pin spacing	Yes
Mating direction to the rail-mount terminal block	90°

Material data

Note (material data)	Information on material specifications can be found here
Color	gray
Material group	I
Insulation material (main housing)	Polyamide (PA66)
Flammability class per UL94	V0
Clamping spring material	Copper alloy
Contact material	Electrolytic copper (E _{Cu})
Contact Plating	Tin
Fire load	0.058 MJ
Weight	2.8 g

Environmental requirements

Limit temperature range	-60 ... +105 °C	Environmental Testing	
		Test specification: Railway applications – Rolling stock – Electronic equipment	DIN EN 50155 (VDE 0115-200):2022-06
		Test procedure: Railway applications – Rolling stock equipment – Vibration and shock tests	DIN EN 61373 (VDE 0115-0106):2011-04
		Spectrum/Mounting location	Service life test, Category 1, Class A/B
		Functional test with noise-like oscillations	Test passed according to Section 8 of the standard
		Frequency	f ₁ = 5 Hz to f ₂ = 150 Hz
		Acceleration	0.101g (highest test level used for all axes)
		Test duration per axis	10 min.
		Test directions	X, Y and Z axes

Environmental Testing

Monitoring of contact faults and interruptions	Passed
Voltage drop measurement before and after each axis	Passed
Simulated service life test through increased levels of noise-like oscillations	Test passed according to Section 9 of the standard
Frequency	$f_1 = 5 \text{ Hz}$ to $f_2 = 150 \text{ Hz}$
Acceleration	0.572g (highest test level used for all axes)
Test duration per axis	5 h
Test directions	X, Y and Z axes
Extended testing: Monitoring of contact faults and interruptions	Passed
Extended testing: Voltage drop measurement before and after each axis	Passed
Shock test	Test passed according to Section 10 of the standard
Shock pulse form	Half sine
Acceleration	5g (highest test level used for all axes)
Shock duration	30 ms
Number of shocks (per axis)	3 pos. und 3 neg.
Test directions	X, Y and Z axes
Extended testing: Monitoring of contact faults and interruptions	Passed
Extended testing: Voltage drop measurement before and after each axis	Passed
Vibration and shock stress for rolling stock equipment	Passed

Commercial data

PU (SPU)	200 (100) pcs
Packaging type	Box
Country of origin	PL
GTIN	4055143959445
Customs tariff number	85366990990

Product Classification

UNSPSC	39121409
ETIM 9.0	EC002643
ETIM 10.0	EC002643
ECCN	NO US CLASSIFICATION

Environmental Product Compliance

RoHS Compliance Status	Compliant, No Exemption
------------------------	-------------------------

Downloads

Environmental Product Compliance

Compliance Search

Environmental Product
Compliance 252-306



Documentation

Additional Information

Technical Section

03.04.2019

pdf

2027.26 KB



CAD/CAE-Data

CAD data

2D/3D Models 252-306



CAE data

ZUKEN Portal 252-306



1 Compatible Products

1.1 System counterpart

1.1.1 Solder pin



[Item No.: 243-131](#)

THT single pin; silver-colored

1.2 Required Accessories

1.2.1 Male connector

1.2.1.1 Solder pin



[Item No.: 243-131](#)

THT single pin; silver-colored

1.3 Optional Accessories

1.3.1 Tool

1.3.1.1 Operating tool



Item No.: 210-719

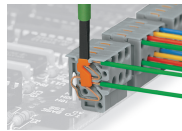
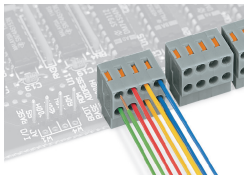
Operating tool; Blade: 2.5 x 0.4 mm; with a partially insulated shaft

Item No.: 210-647

Operating tool; Blade: 2.5 x 0.4 mm; with a partially insulated shaft; multicoloured

Installation Notes

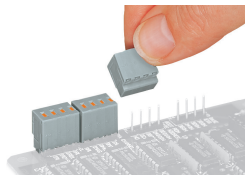
Conductor removal



Conductor termination directly on the PCB or wiring prior to mounting on PCB - 252 Series

Removing a conductor - 252 Series

Installation



Plugging a compact PCB connector - 252 Series