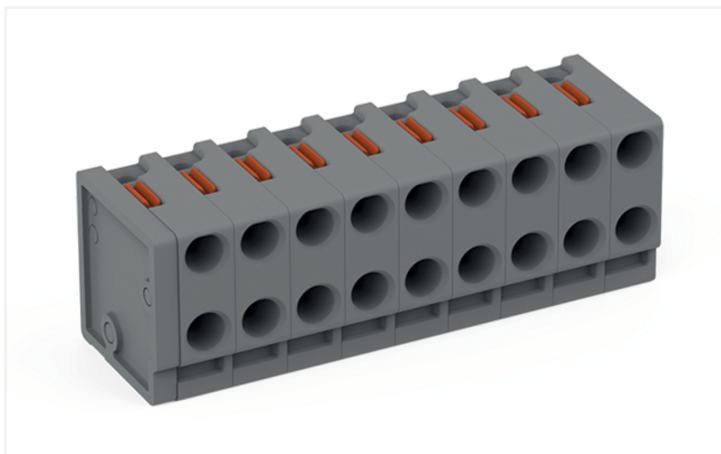


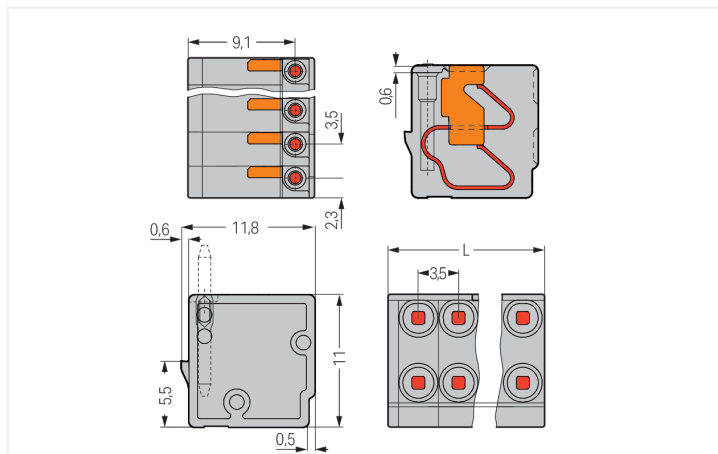
## Data Sheet | Item Number: 252-309

2-conductor female connector; push-button; PUSH WIRE®; 0.8 mm Ø; Pin spacing 3.5 mm; 9-pole; for individual solder pins; for KNX; 0,50 mm²; gray

<https://www.wago.com/252-309>



Color: ■ gray



Dimensions in mm  
L = pole no. x pin spacing

Pluggable pcb terminal block, 252 Series, PUSH WIRE®

Pluggable pcb terminal block (item number 252-309) is designed for hassle-free electrical installations. Conductors can only be connected to pluggable pcb terminal block if their strip length is between 6 and 7 mm. Featuring one conductor terminal along with PUSH WIRE®, this product delivers reliable performance. Our trusted PUSH WIRE® connection offers the fastest method for clamping conductors. It utilizes the conductor's stiffness to overcome the clamping spring's contact force. The dimensions are (31.5 x 11 x 11.8) mm (width x height x depth). Depending on the type of conductor, pluggable pcb terminal block is ideal for conductor cross sections ranging from 0.14 mm² to 0.5 mm².

Tin is used for coating the contact surfaces.

### Notes

Variants:

Other pole numbers  
Direct marking  
Other versions (or variants) can be requested from WAGO Sales or configured at <https://configurator.wago.com/>.

### Electrical data

Ratings per	IEC/EN 60664-1		
	III	III	II
Overtoltage category	III	III	II
Pollution degree	3	2	2
Nominal voltage	160 V	160 V	320 V
Rated impulse withstand voltage	2.5 kV	2.5 kV	2.5 kV
Rated current	2 A	2 A	2 A

Approvals per	UL 1059		
	B	C	D
Use group	B	C	D
Rated voltage	300 V	-	300 V
Rated current	2 A	-	2 A

## Connection Data

Total number of potentials	9
Number of connection types	1
Number of levels	1

### Connection 1

Connection technology	PUSH WIRE®
Actuation type	Push-button
Solid conductor	0.14 ... 0.5 mm <sup>2</sup> / 26 ... 20 AWG
Conductor diameter	0.4 ... 0.8 mm / 26 ... 20 AWG
Strip length	6 ... 7 mm / 0.24 ... 0.28 inches
Conductor connection direction to PCB	0°
Pole number	9

## Physical data

Pin spacing	3.5 mm / 0.138 inches
Width	31.5 mm / 1.240 inches
Height	11 mm / 0.433 inches
Depth	11.8 mm / 0.465 inches

## Plug-in connection

Contact type (pluggable connector)	Female connector/socket
Connector (connection type)	for PCB
Plugging without loss of pin spacing	Yes
Mating direction to the rail-mount terminal block	90°

## Material data

Note (material data)	<a href="#">Information on material specifications can be found here</a>
Color	gray
Material group	I
Insulation material (main housing)	Polyamide (PA66)
Flammability class per UL94	V0
Clamping spring material	Copper alloy
Contact material	Electrolytic copper (E <sub>Cu</sub> )
Contact Plating	Tin
Fire load	0.085 MJ
Weight	4.1 g

## Environmental requirements

Limit temperature range	-60 ... +105 °C
-------------------------	-----------------

### Environmental Testing

Test specification: Railway applications – Rolling stock – Electronic equipment	DIN EN 50155 (VDE 0115-200):2022-06
Test procedure: Railway applications – Rolling stock equipment – Vibration and shock tests	DIN EN 61373 (VDE 0115-0106):2011-04
Spectrum/Mounting location	Service life test, Category 1, Class A/B
Functional test with noise-like oscillations	Test passed according to Section 8 of the standard
Frequency	f <sub>1</sub> = 5 Hz to f <sub>2</sub> = 150 Hz
Acceleration	0.101g (highest test level used for all axes)
Test duration per axis	10 min.
Test directions	X, Y and Z axes

### Environmental Testing

Monitoring of contact faults and interruptions	Passed
Voltage drop measurement before and after each axis	Passed
Simulated service life test through increased levels of noise-like oscillations	Test passed according to Section 9 of the standard
Frequency	$f_1 = 5 \text{ Hz}$ to $f_2 = 150 \text{ Hz}$
Acceleration	0.572g (highest test level used for all axes)
Test duration per axis	5 h
Test directions	X, Y and Z axes
Extended testing: Monitoring of contact faults and interruptions	Passed
Extended testing: Voltage drop measurement before and after each axis	Passed
Shock test	Test passed according to Section 10 of the standard
Shock pulse form	Half sine
Acceleration	5g (highest test level used for all axes)
Shock duration	30 ms
Number of shocks (per axis)	3 pos. und 3 neg.
Test directions	X, Y and Z axes
Extended testing: Monitoring of contact faults and interruptions	Passed
Extended testing: Voltage drop measurement before and after each axis	Passed
Vibration and shock stress for rolling stock equipment	Passed

### Commercial data

PU (SPU)	200 (50) pcs
Packaging type	Box
Country of origin	PL
GTIN	4055143959308
Customs tariff number	85366990990

### Product Classification

UNSPSC	39121409
ETIM 9.0	EC002643
ETIM 10.0	EC002643
ECCN	NO US CLASSIFICATION

### Environmental Product Compliance

RoHS Compliance Status	Compliant, No Exemption
------------------------	-------------------------

### Approvals / Certificates

#### Declarations of conformity and manufacturer's declarations



Approval	Standard	Certificate Name
Railway WAGO GmbH & Co. KG	-	Z00004410.000

### Downloads

#### Environmental Product Compliance

##### Compliance Search

Environmental Product  
Compliance 252-309



### Documentation

#### Additional Information

Technical Section

03.04.2019

pdf  
2027.26 KB



### CAD/CAE-Data

#### CAD data

2D/3D Models 252-309



#### CAE data

ZUKEN Portal 252-309



### 1 Compatible Products

#### 1.1 System counterpart

##### 1.1.1 Solder pin



[Item No.: 243-131](#)

THT single pin; silver-colored

## 1.2 Required Accessories

### 1.2.1 Male connector

#### 1.2.1.1 Solder pin



**Item No.: 243-131**

THT single pin; silver-colored

## 1.3 Optional Accessories

### 1.3.1 Tool

#### 1.3.1.1 Operating tool



**Item No.: 210-719**

Operating tool; Blade: 2.5 x 0.4 mm; with a partially insulated shaft

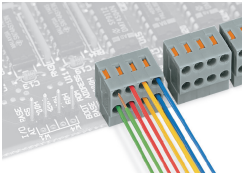


**Item No.: 210-647**

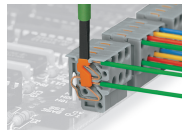
Operating tool; Blade: 2.5 x 0.4 mm; with a partially insulated shaft; multicoloured

## Installation Notes

### Conductor removal

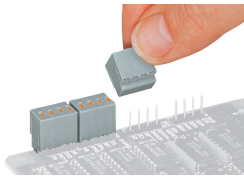


Conductor termination directly on the PCB or wiring prior to mounting on PCB – 252 Series



Removing a conductor – 252 Series

## Installation



Plugging a compact PCB connector – 252 Series